



RIPPA[®]

R22 PRO | MINI EXCAVATOR



R22 PRO: EXCLUSIVE FEATURES



ENGINE

KUBOTA D1105 ENGINE, RATED POWER 17.1KW

- High-Efficiency power output
- Low fuel consumption
- Low noise & vibration



PUMP

VARIABLE DISPLACEMENT PISTON PUMP

- Provides stable hydraulic flow
- Flow rates of 67.2 L/min
- Keep the hydraulic system stable



VALVE

9-WAY HYDRAULIC CONTROL MULTI-WAY VALVE

- Easy and precise operation with responsive control
- Stable performance with smooth response
- Durable structure for reliable long-term use



R22 PRO RIPPA



TRACK

ENGINEERING RUBBER TRACKS

- Smooth driving with little vibration
- Easily handle slopes and complex working conditions



MOTOR

BUILT-IN WALKING MOTOR

- The motor and reducer are integrated into one design.
- The overall structure is more compact
- It is more durable than an exposed structure.



FLEXIBLE BODY



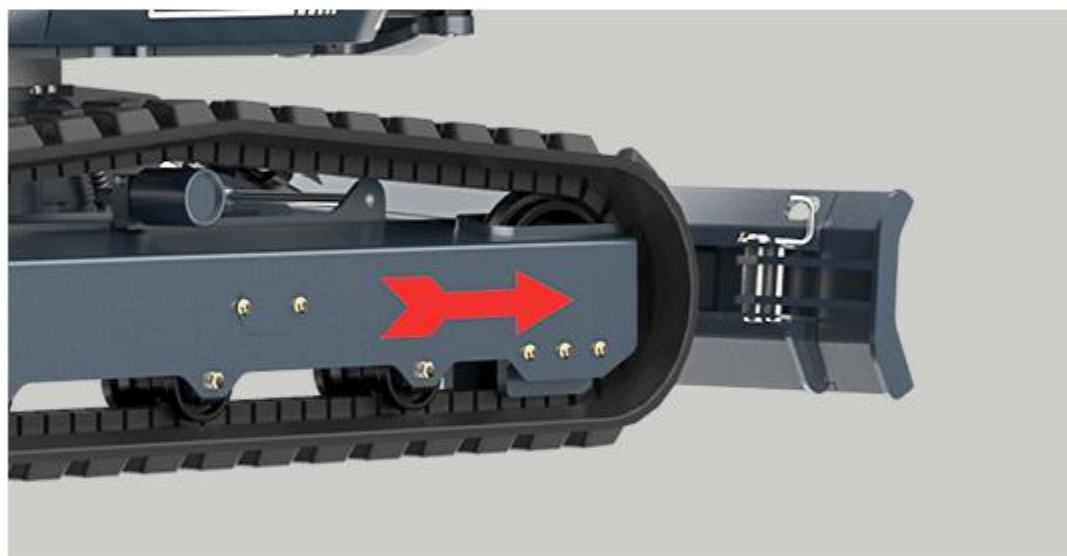


EFFICIENT WORK

The retractable track design allows for flexible adjustment of the machine's width, enabling easy passage through confined spaces. When extended, the tracks widen, significantly improving overall stability and operational safety. Combined with the boom's side-swing structure, it allows for left and right digging operations without frequent machine movement, giving the equipment a balance of mobility, stability, and operational flexibility in narrow spaces, significantly improving construction efficiency.

STRENGTHEN BULLDOZER BLADE

The bulldozer blade body is made of high-strength steel, making it wear-resistant and impact-resistant. Reinforced with ribs, it boasts increased strength and service life. Oil injection holes have been added at the joints for easy lubrication. Its quick-fold blade adjusts to size instantly with the simple pull of a pin.



WIDE RANGE OF OPERATIONS

CAN BE EXCAVATED IN NARROW SPACES

By swinging the work machine, it is possible to excavate in narrow spaces and near walls.

Boom swing angle (right): 54°

Boom swing angle (left): 71°

RETRACTABLE TRACKS

The R22 PRO hydraulically adjustable track gauge can be narrowed down to 1300mm in seconds with a simple single lever operation to allow navigation in tight spaces. Conversely, you can widen the track gauge all the way up to 1500mm.



FEATURES AND FUNCTIONS



KEY FEATURES



- » The intelligent large screen displays the machine's operating parameters. Error codes and warning lights immediately alert the operator to system and charging system malfunctions.
- » Explosion-proof valves can effectively prevent machines from going out of control and improve safety when hydraulic pipeline pressure is too high or pipeline ruptures.



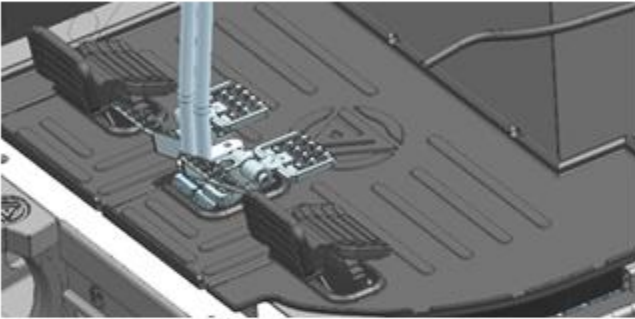
- » The bucket features a robust and durable structure, offering exceptional resistance to impact, abrasion, and corrosion, thereby ensuring a longer service life.
- » Cylinder guard plate, on the cylinder, extending the life of the cylinder





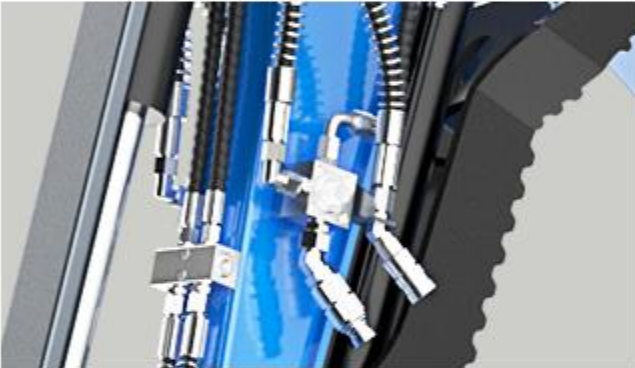
COMFORTABLE OPERATION

ENSURE SPACIOUS FOOT SPACE AND SUPPORT LEISURELY AND SMOOTH OPERATION. THE SAME OPERATING FEELING AS A MAINFRAME, ACHIEVING STRESS FREE OPERATION.



FOUR-WAY CRUSHING PIPELINE

Four-way high-pressure crushing oil pipe can realize more auxiliary equipment operations



OPENABLE WINDSHIELD

The openable design allows the operator to open the windshield when needed to enhance air circulation in the cab, which is particularly suitable for high-temperature working environments and improves the operator's comfort.



LARGE COCKPIT

The cab comes with a fresh air system, windshield washer fluid, and four-corner shock absorbers.



HERRINGBONE TRACK

Engineering rubber tracks can be matched with high-quality wear-resistant steel tracks for smooth walking



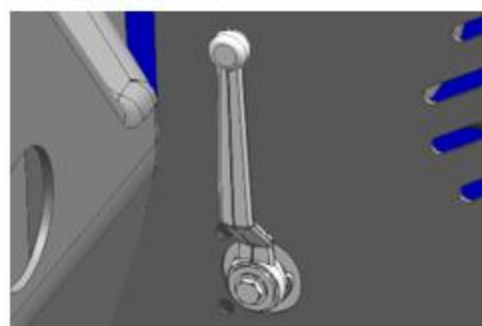
AIR CONDITIONER

The cab is equipped with air conditioning, ensuring a comfortable working environment in both winter and summer.



LAWN MOWER RETURN LINE RESERVATION

Reserve the mower oil return pipeline, and the pipeline can be switched when the lawn mower auxiliary equipment is used in the future



COUNTERWEIGHT

To ensure operational safety, the excavator balances torque and improves stability.



EASY TO MAINTAIN

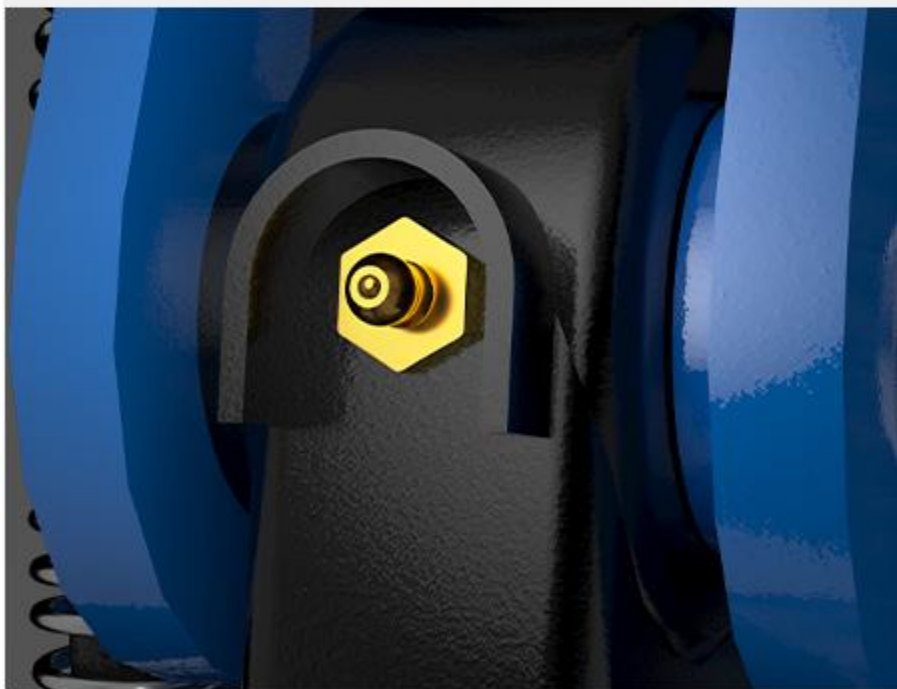


ENGINE COVER

- ▶ The rear and right side bonnets can be opened wide without tools, allowing quick daily inspection and maintenance of the engine and fuel system. In addition, the inspection and maintenance points for the hydraulic system are centrally located on the right side of the aircraft, dramatically improving work efficiency.



REDUCE MAINTENANCE COSTS



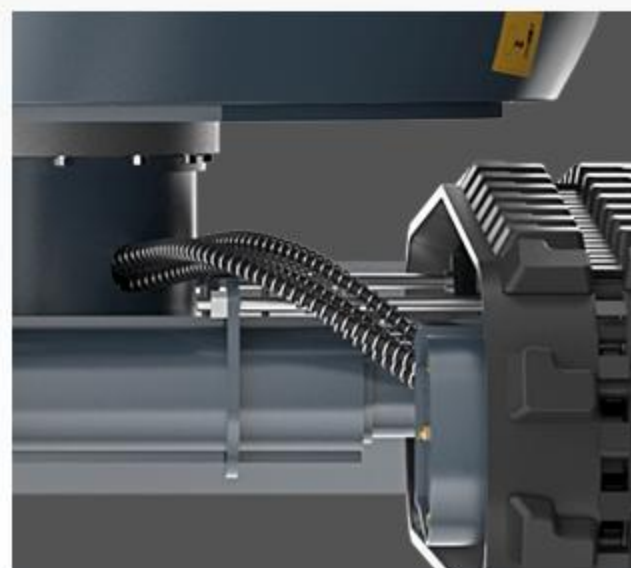
▶ GREASE FITTING PROTECTION

The cylinder is fitted with a nickel-plated pointed grease nipple and a welded protective block. The nickel plating resists water, mud, and corrosion while enhancing surface hardness. The pointed design ensures precise grease gun connection, preventing slipping or leakage, and the welded guard protects the nipple from damage during operation.



▶ TRACK TENSIONING MAINTENANCE PORT

Featuring a metal enclosed cover design with a reserved independent tensioning maintenance window, this system allows for quick access to the tensioning cylinder and grease fittings without disassembling tracks or large protective plates, effectively shortening maintenance and repair time.



▶ CABLE PROTECTION FOR OIL PIPELINES

To improve reliability and extend service life, Rippa excavators are now equipped with steel spring guards on the undercarriage hydraulic hoses. This improvement ensures optimum protection against wear caused by friction, sharp objects and rough terrain.

CEILING MODEL



STURDY IRON CANOPY

Iron canopies possess superior structural strength and impact resistance, effectively shielding operators from injury caused by falling objects. Furthermore, they are highly durable and resistant to aging and deformation, ensuring greater safety and reliability over the long term.



SAFETY GUARD NET

The front protective screen on the excavator canopy effectively blocks flying soil, rocks, and debris, thereby safeguarding the operator. Highly durable and impact-resistant, it features a simple structure that makes routine maintenance exceptionally convenient.



RIPPA ATTACHMENTS



PERFORMANCE MATCHED

It supports quick attachment changes, enabling one machine to handle digging, breaking, grabbing, drilling, leveling, and trenching. By adapting to different tasks, it boosts efficiency, reduces equipment and rental costs, and lowers labor dependency. More than just a machine, it's a personal engineering team ready to work anytime.

Visit rippa.com



BUCKET

- Optional bucket sizes.
- weight:38kg
size:63 × 23 × 52 cm
- weight:42kg
size:63 × 33 × 52 cm
- weight:60kg
size:63 × 63 × 52 cm
- weight:72kg
size:63 × 83 × 52 cm
- weight:80kg
size:63 × 103 × 52 cm



MUD BUCKET

- Optional bucket sizes.
- weight:48kg
size:50 × 60 × 52 cm
- weight:53kg
size:50 × 80 × 52 cm
- weight:62kg
size:50 × 100 × 52 cm



RIDDLE BUCKET

- Optional bucket sizes.
- weight:55kg
size:60 × 63 × 52 cm
- weight:66kg
size:60 × 83 × 52 cm



RAKE

- Optional rake sizes.
- weight:42kg
size:78 × 40 × 30 cm
- weight:58kg
size:78 × 60 × 30 cm
- weight:80kg
size:78 × 80 × 30 cm



RIPPER

- Optional ripper size
- weight:18kg
size:56 × 20 × 25 cm



TILTING BUCKET

- Optional Single-Cylinder Tilting Bucket Sizes
- weight:56kg
size:74 × 80 × 30 cm



LOG GRAPPLE

- Standard Log Grab grapple sizes.
- weight:95kg
size:60 × 48 × 96 cm
- Rotating log grapple grapple sizes.
- weight:145kg
size:55 × 85 × 93 cm



HYDRAULIC BREAKER

- Hydraulic breaker size
- weight:126kg
size:78 × 25 × 35 cm



QUICK CHANGE

- Hydraulic Quick Coupler size
- weight:23kg
size:40 × 21 × 28 cm



ROTARY DRILL

- Optional rake sizes.
- Weight: 51kg
Length: 130cm Diameter: 20cm
- Weight: 55kg
Length: 130cm Diameter: 30cm
- Weight: 59kg
Length: 150cm Diameter: 30cm
- Weight: 59kg
Length: 170cm Diameter: 25cm



TILTING BUCKET

- Optional Dual-Cylinder Tilting Bucket Sizes
- weight:61kg
size:74 × 80 × 30 cm
- weight:66kg
size:74 × 100 × 30 cm



LAWN MOWER

- Lawn mower size
- weight:148kg
size:125 × 45 × 70 cm



HYDRAULIC THUMB

- Optional hydraulic thumb sizes.
- weight: 37.6kg

APPLICATION SCENARIOS



Pool Digging



Driveway Repair



Drainage Trenching



Stump Removal



Tree Planting



Snow removal



Land Leveling



Fence Installation



Small Foundations



Farm Construction

EXCAVATOR PARTS PACKAGE LIST

ONE-STOP PARTS SOLUTION, SAVING YOU TIME, EFFORT, AND MONEY.

Note: Product images are for reference only. Actual parts may vary in appearance depending on the excavator model, engine configuration, and production batch. Please refer to the part number (Coding) or contact RIPPA before ordering.



SELECTED HIGH-QUALITY ACCESSORIES



STABLE AND RELIABLE PERFORMANCE



REDUCE MAINTENANCE COSTS



BUYING IN BULK OFFERS BETTER DEALS

— R22 PRO (Kubota) PARTS LIST —

<p>Routine maintenance parts</p>	<p>Air Filter Element x 3 LP0111010008</p>	<p>Oil Filter Element x 3 LP0111020047</p>	<p>Diesel Fuel Filter Element x 3 LP0111020179</p>	<p>Pilot Hydraulic Filter Element x 3 LP0116020136</p>	<p>Why choose pack ?</p> <ul style="list-style-type: none"> ✓ Comprehensive coverage of commonly used accessories ✓ Original factory standards, quality guaranteed ✓ Reduce downtime and improve efficiency ✓ Package deals, great value!
	<p>Return Hydraulic Oil Filter Element x 3 LP0116020012</p>	<p>Grease Fitting x 3 LP011109254</p>	<p>Bucket Tooth x 3 LP0111099565</p>		
<p>Oil tank</p>	<p>Boom Cylinder x 1 LP0115010145</p>	<p>Stick Cylinder x 1 LP0115010146</p>	<p>Bucket Cylinder x 1 LP0115010147</p>		
<p>Walking and Turning System</p>	<p>Track Adjuster Screw x 1 LP0102070015</p>	<p>Guide Wheel x 1 LP0102070013</p>	<p>Starter Motor x 1 LP0111020198</p>		
<p>Electrical Components</p>	<p>Main Power Switch x 1 LP0106040064</p>	<p>Key Switch x 1 LP0106040002</p>	<p>Telescopic Solenoid Valve x 1 LP0115030028</p>		
				<p>Scan the QR code now for inquiries and ordering.</p>	