



**RIPPA**<sup>®</sup>

# R10 ECO | MINI EXCAVATOR



# R10 ECO: EXCLUSIVE FEATURES



## ENGINE

### KUBOTA Z482 ENGINE, RATED POWER 8.2KW

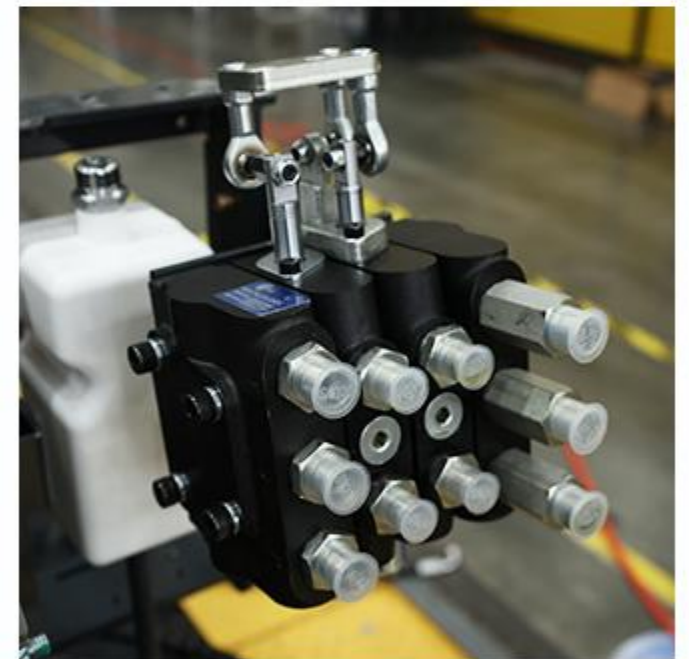
- High-Efficiency power output
- Low fuel consumption
- Low noise & vibration



## PUMP

### GEAR PUMP

- Provides stable hydraulic flow
- Flow rates of 18 L/min
- Keep the hydraulic system stable



## VALVE

### MECHANICAL VALVE

- Simple and reliable, easy to operate with low failure rate.
- Durable, withstands harsh working conditions.
- Cost-effective, low maintenance and long service life.



# R10 ECO RIPPA



## TRACK

### ENGINEERING RUBBER TRACKS

- Smooth driving with little vibration
- Easily handle slopes and complex working conditions



## MOTOR

### BUILT-IN WALKING MOTOR

- The motor and reducer are integrated into one design.
- The overall structure is more compact
- It is more durable than an exposed structure.



# FLEXIBLE BODY



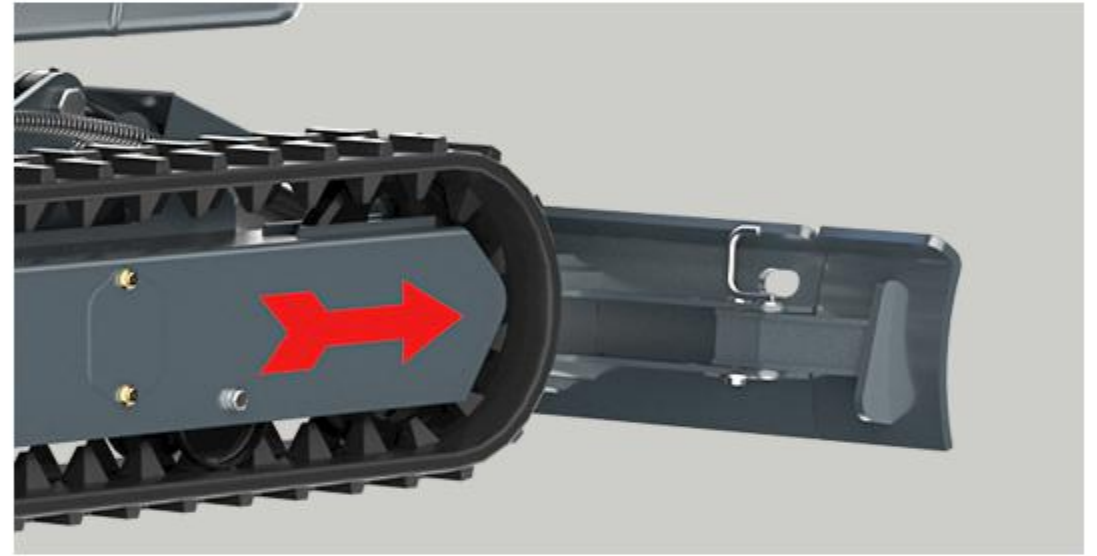


### ▶ ULTRA COMPACT DIMENSIONS

There's a lot to like about RIPPA's new ultra-compact excavators. They're so compact you can easily work safely in tight spots. They also have an improved control layout\*, and upgraded comfort features to keep you working efficiently and comfortably. Best of all, you can depend on these RIPPA ultra-compact excavators to get the job done with speed and efficiency.

### ▶ STRENGTHEN BULLDOZER BLADE

The bulldozer blade body is made of high-strength steel, making it wear-resistant and impact-resistant. Reinforced with ribs, it boasts increased strength and service life. Oil injection holes have been added at the joints for easy lubrication. Its quick-fold blade adjusts to size instantly with the simple pull of a pin.



## WIDE RANGE OF OPERATIONS

### ▶ CAN BE EXCAVATED IN NARROW SPACES

By swinging the work machine, it is possible to excavate in narrow spaces and near walls.

Boom swing angle (right): 47°

Boom swing angle (left): 74°

### ▶ RETRACTABLE TRACKS

The R10 eco hydraulically adjustable track gauge can be narrowed down to 900mm in seconds with a simple single lever operation to allow navigation in tight spaces. Conversely, you can widen the track gauge all the way up to 1200mm.



# FEATURES AND FUNCTIONS



## KEY FEATURES



- » The control levers are located on both sides of the seat so that the operator can maintain a better, more relaxed working posture and have excellent forward visibility.
- » Adjustable seat, ergonomically designed to support the operator's back, waist and neck, reducing fatigue caused by long-term operation



- » With the boom cylinder, you can use the bucket to scoop up large rocks and concrete blocks and load them onto a dump truck without worrying about damaging the boom cylinder.
- » Cylinder guard plate, on the cylinder, extending the life of the cylinder





### ▶ FOOT PEDAL

The foot pedal is set to facilitate the side swing and extension of the excavator, freeing the driver's hands and improving work efficiency.



### ▶ FOUR-WAY CRUSHING PIPELINE

Four-way high-pressure crushing oil pipe can realize more auxiliary equipment operations



### ▶ PLASTIC ROOF COVER

The plastic canopy cover is more beautiful and three-dimensional; Compared with iron roofs, it has better waterproof performance and strong corrosion resistance.



### ▶ FULL-OPENING HOOD & HOOD GRIP

A four-post driving canopy with a front-mounted safety net enhances safety and prevents injury from falling objects; equipped with warning lights and illumination lights, it provides clear visibility at night or in low-light conditions, ensuring construction efficiency; it expands the driver's field of vision, reduces blind spots, and improves operational safety.



### ▶ LIFTING HOLE

More convenient movement and more fixing points for the transport of the machine.



### ▶ ACTION BUTTON

The operation buttons are centralized and concise which is convenient for the driver to operate.



### ▶ DASHBOARD

The dashboard is designed to allow operators to monitor the vehicle's basic status in real time.



### ▶ COUNTERWEIGHT

To ensure operational safety, the excavator balances torque and improves stability.



# EASY TO MAINTAIN



## ENGINE COVER

The rear opening hood provides easy access to the engine, and maintenance is simple with the hydraulic service port plumbing conveniently located and protected.

The rear-opening operator seat on the hood can be flipped up to reveal a large portion of the engine, allowing easier access to components



# REDUCE MAINTENANCE COSTS



## ▶ OIL CIRCUIT MAINTENANCE

A manually openable cover is specially set at the foot pedal, so that when checking the oil circuit and the line, it will be handy and efficient, which provides great convenience for subsequent maintenance and inspection work.



## ▶ TRACK TENSIONING MAINTENANCE PORT

Featuring a metal enclosed cover design with a reserved independent tensioning maintenance window, this system allows for quick access to the tensioning cylinder and grease fittings without disassembling tracks or large protective plates, effectively shortening maintenance and repair time.



## ▶ POWER SWITCH

When the excavator is not in use or idle, the operator can cut off the power supply to the equipment through the power switch to avoid energy waste, help the equipment save energy and reduce operating costs



## ► FLIP UP WINDSHIELD

The windshield can be flipped up, and it is easy to switch between closed and open modes according to weather and working conditions. In hot weather, the flip-up design provides natural ventilation, improves air circulation inside the cab, and enhances comfort. The front windshield is easy to clean, making maintenance easier.



## ► WIPERS

It can spray windshield washer fluid for a cleaner glass, ensuring drivers have good visibility in rain, snow, or muddy weather, improving work safety, preventing operational errors caused by obstructed vision, increasing work efficiency in inclement weather, and reducing downtime.



## ► PROTECTIVE NET

It can effectively block flying stones, branches and other debris, significantly reduce the impact damage to the cab glass and internal equipment, and protect the driver's personal safety.



## ► REVERSING CAMERA

It can display the working environment behind the machine in real time, effectively reducing blind spots and helping operators to clearly judge obstacles and distances behind. It makes reversing safer and more accurate in narrow or complex working conditions, improving the overall safety and efficiency of the machine operation.



## ► HEATER

Rapidly heats the cab to keep the operator warm, reduce fatigue, and clear windshield fog and frost for better visibility.



## ► FAN

Improves ventilation, keeps the cab fresh and cool, and enhances operator comfort and efficiency.



## ► FRESH AIR SYSTEM

Sustainably introduces fresh outside air to improve air circulation in the driver's cabin.



## ► SUN VISOR

It can effectively block strong direct sunlight and improve the clarity of the driver's vision.



# RIPPA ATTACHMENTS



## PERFORMANCE MATCHED

It supports quick attachment changes, enabling one machine to handle digging, breaking, grabbing, drilling, leveling, and trenching. By adapting to different tasks, it boosts efficiency, reduces equipment and rental costs, and lowers labor dependency. More than just a machine, it's a personal engineering team ready to work anytime.

Visit [rippa.com](http://rippa.com)



### BUCKET

- Optional bucket sizes.
- weight:15kg  
size:45 × 20 × 40 cm
- weight:22kg  
size:45 × 40 × 40 cm
- weight:29kg  
size:45 × 60 × 40 cm
- weight:36kg  
size:45 × 80 × 40 cm



### MUD BUCKET

- Optional bucket sizes.
- weight:16.5kg  
size:35 × 40 × 40 cm
- weight:21kg  
size:35 × 60 × 40 cm
- weight:27kg  
size:35 × 80 × 40 cm
- weight:32kg  
size:35 × 100 × 40 cm



### RIDDLE BUCKET

- Optional bucket sizes.
- weight:31kg  
size:45 × 60 × 40 cm



## RAKE

- Optional rake sizes.
- weight:16.5kg  
size:53 × 43 × 18 cm
- weight:22kg  
size:53 × 63 × 18 cm
- weight:28kg  
size:53 × 83 × 18 cm



## RIPPER

- Optional ripper size
- weight:16.5kg  
size:53 × 14 × 20 cm



## TILTING BUCKET

- Optional tilting bucket size
- weight:39.5kg  
size:72 × 60 × 30 cm
- weight:53kg  
size:72 × 80 × 30 cm
- weight:58kg  
size:72 × 100 × 30 cm



## LOG GRAPPLE

- Optional Lightweight log grapple sizes.
- weight:37kg  
size:50 × 45 × 54 cm



## HYDRAULIC BREAKER

- Hydraulic breaker size
- weight:79kg  
size:66 × 30 × 40 cm



## QUICK CHANGE

- Mechanical quick-change size
- weight:19kg  
size:31 × 19 × 25 cm



# RIPPA ATTACHMENTS

## ROTARY DRILL

- Optional rake sizes.
- Weight: 50kg  
Length: 130cm Diameter: 15cm
- Weight: 51kg  
Length: 130cm Diameter: 20cm
- Weight: 53kg  
Length: 130cm Diameter: 30cm
- Weight: 54kg  
Length: 150cm Diameter: 30cm
- Weight: 55kg  
Length: 170cm Diameter: 20cm



## APPLICATION SCENARIOS



**DIG A SWIMMING  
POOL**



**REPAIR A DRIVEWAY**



**DIG DRAINAGE  
DITCHES**



**STUMP REMOVAL**



**TREE PLANTING**



**SNOW REMOVAL**



**LAND LEVELING**



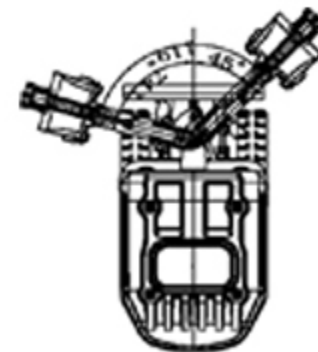
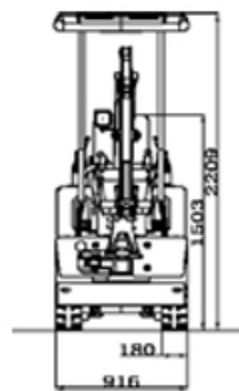
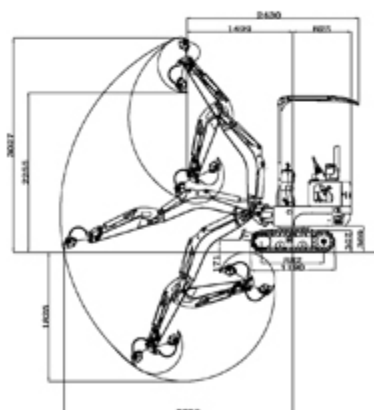
**FENCE INSTALLATION**



**SMALL FOUNDATIONS**

## DETAILED PARAMETER CONFIGURATION

Basic parameters		
Machine Weight/Operating Weight	1060kg/1142kg	2337/2518lb
Bucket capacity	0.014m <sup>3</sup>	0.49ft <sup>3</sup>
Travel speed low/high	0-1.5km/h	0-0.93mph
Gradeability	30%	30%
Ground pressure	25.53Kpa	3.7psi
Maximum digging force	9.2kN	9.2kN
Maximum digging radius	3233mm	127.3in
Maximum digging depth	1833mm	72.2in
Maximum digging height	3021mm	118.9in
Maximum dumping height	2247mm	88.5in
Maximum deflection angle	121°	121°
Track extension range	900-1200mm	35.4-47.2in
Body		
Transport length	2306mm	90.9in
Transport width	912mm	35.9in
Transport height	2201mm	86.7in
Counterweight ground clearance	361mm	14.2in
Bucket width	300mm	11.8in
Boom length	1477mm	58.1in
Arm length	800mm	31.5in
Bulldozer blade width	912-1212mm	35.9-47.7in
Engine		
Engine brand	Kubota	Kubota
Engine model	Z482	Z482
Maximum power	8.2kw	11hp
Maximum speed	3000rpm	3000rpm
Displacement	0.479L	0.13gal
Number of cylinders	2	2
Cooling method	Water-cooled	Water-cooled
Engine oil change amount	1.5L	0.4gal
Fuel form	Diesel	Diesel
Fuel grade	0/-10	0/-10
Theoretical fuel consumption	0.8-1.2L/h	0.8-1.2L/h
Hydraulic system		
Main pump type/model		6ml/r
Main pump maximum flow (L/min)		18L/min
Multi-way valve	2+2+5 multi-way valve	
Rated set pressure (Mpa)		16MPa
Travel hydraulic motor type		WDM-300
Slewing hydraulic motor type		BM2-315



Unit: mm

### Shandong Rippla Machinery Group Co., Ltd.

Address: No. 39, Guang'an Road, Lihang Sub-district Office, High-tech Zone, Jining City, Shandong Province.

Some specifications are based on engineering measurements and may differ from actual conditions. Specifications are for comparison purposes only and are subject to change without notice. Specifications of individual RIPPA devices may vary due to normal variations in design, manufacturing, operating conditions and other factors. Some images of RIPPA devices are not limited to standard packages.



# RIPPA®