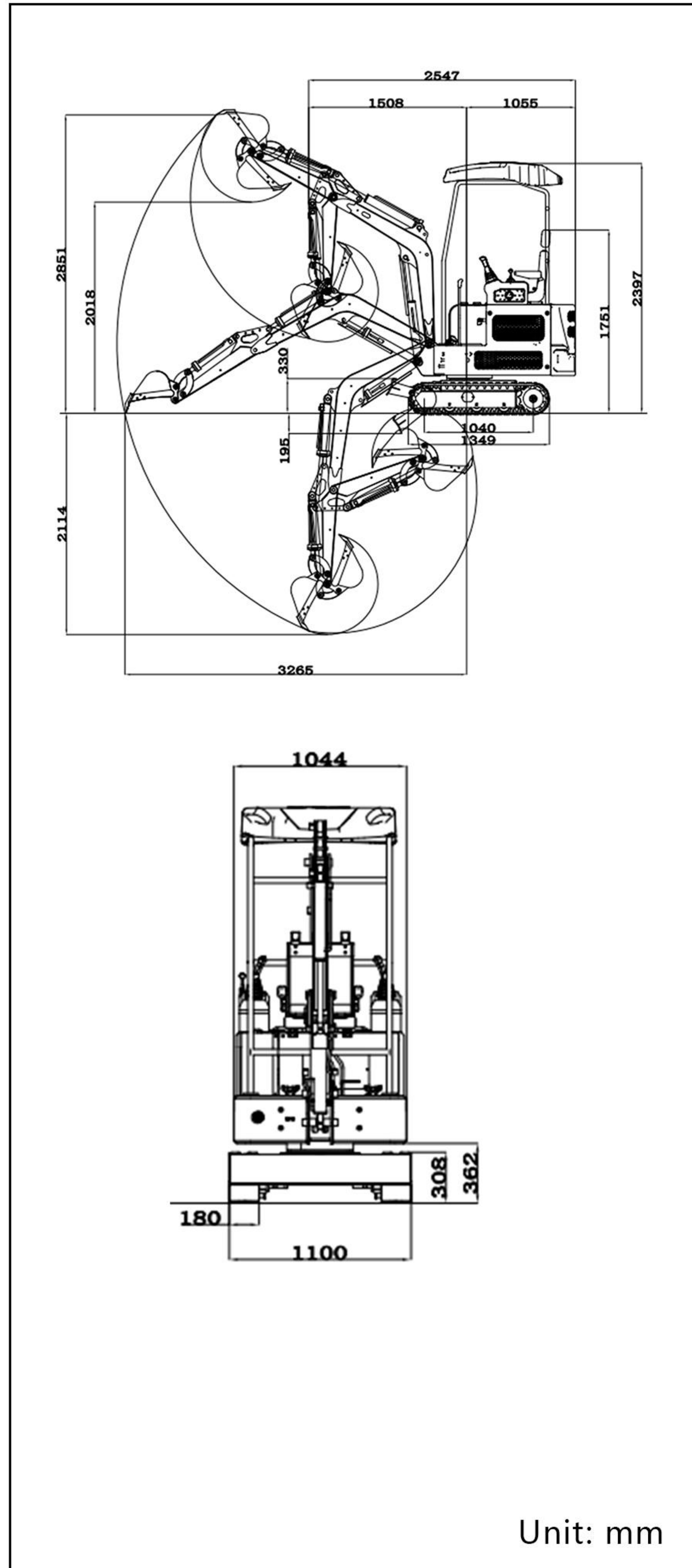


## ■ SCOPE OF WORK



## ■ SPECIFICATION

	Model	unit	R328
Basic parameters	Machine working weight (kg)	lb(kg)	2962.98(1344)
	Bucket capacity	ft <sup>3</sup> (m <sup>3</sup> )	0.49(0.014)
	Travel speed low/high speed	mph(Km/h)	0-0.93(0-1.5)
	Gradeability	(%)	30
	Ground pressure	psi(Kpa)	35
	Maximum digging force	lbf(kN)	13.8
	Maximum digging radius	in(mm)	128.641(3265)
	Maximum digging depth (mm)	in(mm)	87.074 (2210)
	Maximum digging height (mm)	in(mm)	112.329(2851)
	Maximum unloading height (mm)	in(mm)	79.509(2018)
	Maximum deflection angle (°)	(°)	-
	Track extension range (mm)	in(mm)	-
Engine	Engine brand		Changchai Power
	Engine model		Changchai390
	Maximum horsepower	hp(ps)	37.5(37)
	Maximum power	hp(kw)	33.5(25)
	Maximum speed	(rpm)	2400
	Displacement	gal(L)	0.479(1.813)
	Number of cylinders		3
	Cooling method		Water cooling
	Engine oil change amount	gal(L)	1.189(4.5)
	Fuel form		diesel fuel
	Fuel grade		0/-10
	Theoretical fuel consumption	(L/h)	0.343-0.396 (1.3-1.5)
Body	Transport length	in(mm)	100.352(2547)
	Transport width	in(mm)	43.34(1100)
	Transport height	in(mm)	94.442(2397)
	Counterweight ground clearance	in(mm)	14.263(362)
	Bucket width	in(mm)	15.76(400)
	Boom length	in(mm)	65.995(1675)
	Arm length	in(mm)	35.46(900)
	Bulldozer blade width	in(mm)	43.34(1100)

## ■ HYDRAULIC SYSTEM

Main pump type/model	Gear Pump	Maximum set pressure	16MPa
Main pump brand	paike	Travel hydraulic motor type	WDM-300
Main pump maximum flow	31.2L/min	Travel motor brand	Paiyi
Multi-way valve	8-way Hydraulic Control Valve	Motor displacement	300
Multi-way valve brand	Tengfei/Shengjie	Slewing hydraulic motor type	BM5-315
Rated set pressure	15MPa	Displacement	315

- Please read the instruction manual carefully and use it correctly.
  - Be sure to fasten your seat belt during operation. ※Except for soft top specification
  - When driving construction machinery with a body weight of less than 3t, please receive "special education on driving construction machinery for vehicles" in advance, and be sure to participate in "skills training for driving construction machinery for vehicles" if it is more than 3t.
- R328 According to the conditions of the Occupational Safety and Health Act, the body mass may reach 1125kg
- In order to prevent breakdowns and accidents, be sure to check the machine regularly.



# MINI EXCAVATOR R328



**EXCELLENT PERFORMANCE FULLY MEET THE NEEDS OF  
VARIOUS USERS.**



