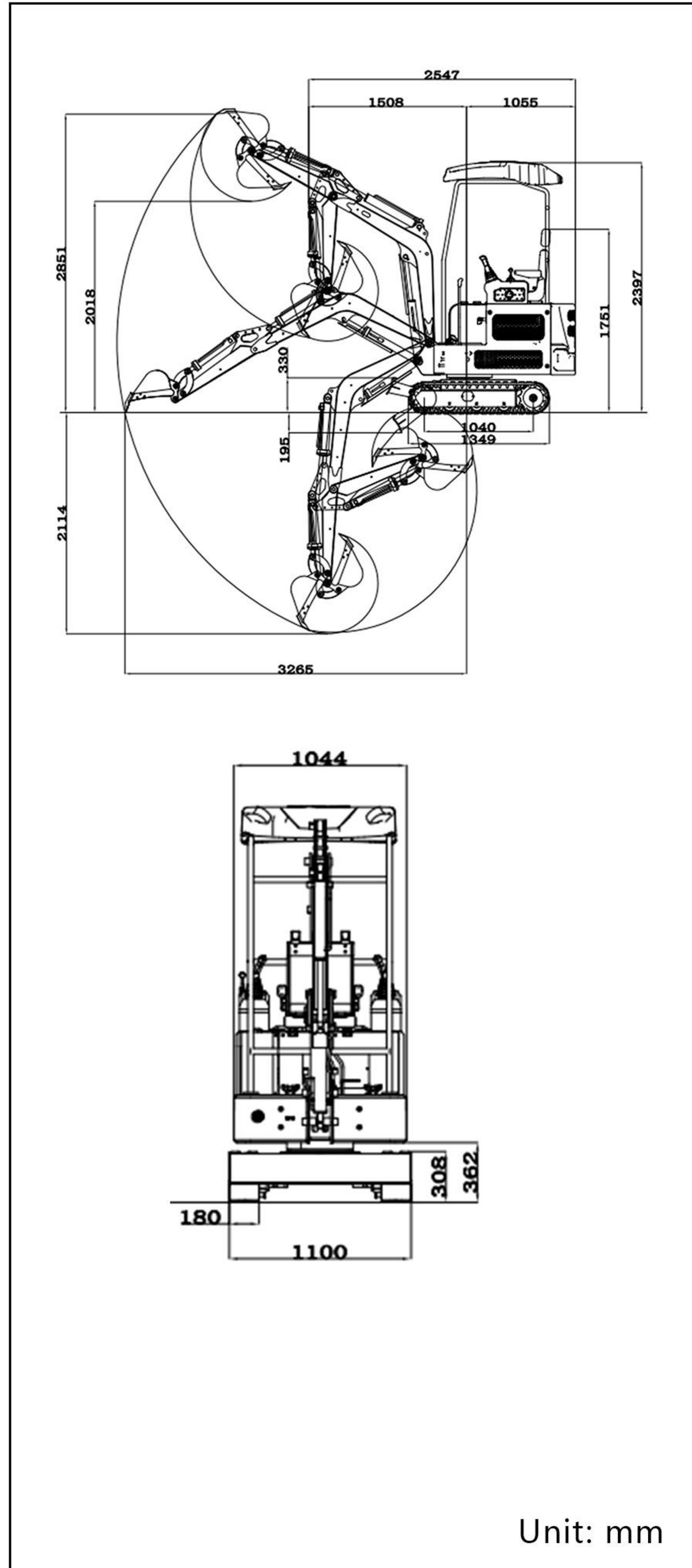


## ■ SCOPE OF WORK



Unit: mm

## ■ SPECIFICATION

	Model	unit	R328
Basic parameters	Machine Weight/Operating Weight (kg)	lb(kg)	3042/3230 (1380/1465)
	Bucket capacity	ft³(m³)	0.49(0.014)
	Travel speed low/high speed	mph(Km/h)	0-0.93(0-1.5)
	Gradeability	(%)	30
	Ground pressure	psi(Kpa)	35
	Maximum digging force	lbf(kN)	13.8
	Maximum digging radius	in(mm)	128.641(3265)
	Maximum digging depth (mm)	in(mm)	83.29(2114)
	Maximum digging height (mm)	in(mm)	112.329(2851)
	Maximum unloading height (mm)	in(mm)	79.509(2018)
	Maximum deflection angle (°)	(°)	-
	Track extension range (mm)	in(mm)	-
Engine	Engine brand		Changchai Power
	Engine model		Changchai390
	Maximum horsepower	hp	33.5
	Maximum power	kw	25
	Maximum speed	(rpm)	2400
	Displacement	gal(L)	0.479(1.813)
	Number of cylinders		3
	Cooling method		Water cooling
	Engine oil change amount	gal(L)	1.189(4.5)
	Fuel form		Diesel fuel
	Fuel grade		0/-10
	Theoretical fuel consumption	(L/h)	0.343-0.396 (1.3-1.5)
Body	Transport length	in(mm)	100.352(2547)
	Transport width	in(mm)	43.34(1100)
	Transport height	in(mm)	94.442(2397)
	Counterweight ground clearance	in(mm)	14.263(362)
	Bucket width	in(mm)	15.76(400)
	Boom length	in(mm)	65.995(1675)
	Arm length	in(mm)	35.46(900)
	Bulldozer blade width	in(mm)	43.34(1100)

## ■ HYDRAULIC SYSTEM

Main pump type/model	Gear Pump	Maximum set pressure	18MPa
Main pump brand	paike	Travel hydraulic motor type	WDM-300
Main pump maximum flow	31.2L/min	Travel motor brand	Paiyi
Multi-way valve	8-way Hydraulic Control Valve	Motor displacement	390
Multi-way valve brand	Tengfei/Shengjie	Slewing hydraulic motor type	BM5-315
Rated set pressure	16MPa	Displacement	315

- Please read the operator' s manual carefully before use and operate the machine correctly.
- Always wear the seat belt during operation. (ROPS models only)
- Only trained and qualified personnel should operate this machine in accordance with local laws and regulations.
- Inspect the machine regularly before and during operation to help prevent accidents, damage, and unexpected downtime.
- Perform routine maintenance and safety inspections according to the maintenance schedule in the operator' s manual.
- Repairs, inspections, and servicing should be carried out by qualified technicians or authorized service personnel.



RIPPA®

# MINI EXCAVATOR R328



**EXCELLENT PERFORMANCE FULLY MEET THE NEEDS OF  
VARIOUS USERS.**



# EXCELLENT BASIC PERFORMANCE



## [CHANGCHAI ENGINE]

Powerful performance in a compact design. The excellent performance brought by the extra torque greatly contributes to the improvement of workability. At the same time, low fuel consumption, low vibration, low noise, and consideration for the environment have been achieved at a high level.



CHANGCHAI ENGINE — 390

**25** kw/2400rpm

## [ REPLACE ASSISTIVE DEVICE MODE ] (standard configuration)

When replacing auxiliary equipment such as hydraulic quick changers, breakers, and wood grabbers, you can easily replace them by pressing the button, which is convenient and quick.



## [ RUBBER HOSE ]

Lead the air filter intake pipe to the outside of the water tank to directly absorb the natural wind from the outside, so as to avoid the impact on the engine power due to the high intake temperature of the engine, so as to reduce the service life of the engine.



**EXCELLENT PERFORMANCE FULLY MEET THE NEEDS OF  
VARIOUS USERS.**



# Reliable working performance

## [Rear suer small turn]

Minimize the part beyond the outside of the track when turning as much as possible, so the machine can turn safely and securely. Ease of operation is ensured even in narrow working environments

## [Ultra-low noise setting]

The Ministry of Land, Infrastructure and Transport's ultra-low noise level (below 93dB) has been significantly exceeded, reducing noise in urban areas and during nighttime construction.

## [Cast drive wheel]

Forged drive wheel, hemispherical structure disperses stress concentration and has a longer service life.

Maximum excavation radius **3265mm**

Maximum excavation depth **2114mm**

Maximum excavation height **2851mm**



## [ One-piece forged cylinder]

The one-piece forged cylinder rod is used, which will not break and has higher precision.



## [ Plastic fuel tank ]

The inside of the fuel tank is cleaner, without steel shot, welding slag and other impurities, which better protects the engine and makes the engine work more efficiently. In addition, compared with iron fuel tanks, they have stronger anti-corrosion, higher safety, strong sealing and are not prone to oil leakage.

## [ Hydraulic cylinder guard plate ]

The cylinder of the bulldozer blade is equipped with a guard to prevent the cylinder from being damaged.

## [ Safety seats ]

New upgraded adjustable seat, lift adjustment, safe and comfortable.



## [ Internal motor ]

It effectively avoids direct exposure of the motor, reduces material adhesion, and significantly improves component durability.



## [ LED light ]

It can work better at night, increasing the safety of night work.



# Product Highlights

## Plastic armrest box

Using high-quality high-density polyethylene plastic integrated processing and molding technology, the key switch, cup holder, instrument, hydraulic joystick, etc. are integrated and installed. The overall shape is beautiful, high strength, corrosion-resistant, anti-aging, easy to clean, wear-resistant, Water resistance, acid and alkali resistance and other advantages.



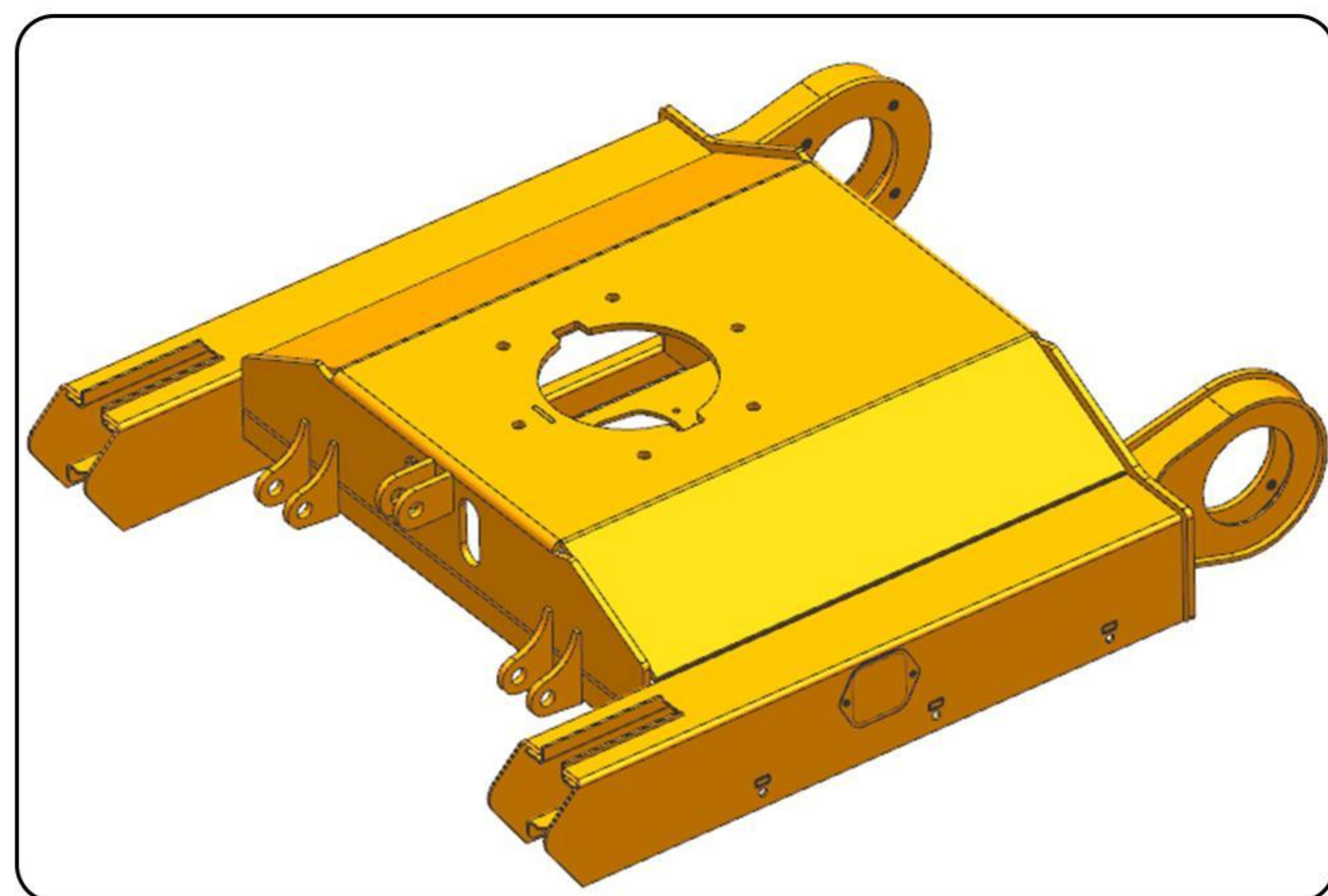
## GM51H instrument

The multi-functional engine status display meter can display the engine operating speed, oil pressure value, water temperature, fuel quantity, etc. The working status is intuitive and clear, making it convenient for customers to maintain.



## Footwall structure

The R328 new lower plate structure is stamped and formed in one piece. Compared with the original tailor-welded structure, the strength is increased; the overall width of the lower plate is 1100mm, with strong load-bearing capacity and high stability.



## Dozer blade

The new R328 dozer blade uses a bending and flanging process, which is simpler than the original tailor-welded process. It is simple but not simple. It adds ribs to make it stronger and extend its service life. The links are equipped with grease holes for convenient lubrication.

