



RIPPA[®]

RIPPA GROUP

R322L



High completion and reliability

The R322L is one part of a comprehensive lineup of mini excavators. It boasts ample work efficiency, operability, safety, environmental friendliness and other features that further refine its overall balance. It is also packed with specifications that exceed its class in every detail, including Kubota's unique boom cylinder protection design. Its high level of perfection and reliability will open up a new stage in any situation.

Rippa small excavator

R322L



Comply with European exhaust gas fifth emission standard

The machine is equipped with an environmentally friendly engine. It meets Euro V and EPA emission standards, is fuel-efficient, low-noise, and can achieve high power output. Durability, safety and comfort are comprehensively upgraded. Compact design delivers powerful performance. The excellent performance brought by the abundant torque greatly contributes to the improvement of workability.



WORKABLE

Meeting each and every advanced need on-site



Unique boom cylinder protection design

The boom cylinder is located on the back of the boom, allowing you to work smoothly without worrying about damaging the boom cylinder when loading soil into a dump truck, etc.



Equipped with outer flange roller

Short pitch rubber crawler adopted

The lateral stability has been improved. In addition, the use of short pitch rubber tracks improves the ride comfort while driving. This supports safer and more comfortable work.

Retractable crawler tracks

The adjustable legs are designed for use in locations with narrow access roads or when transported by a 2-ton dump truck. The legs can be easily adjusted with a lever. They are compact at 990 mm when traveling or transporting, and can be extended to 1,240 mm when working, providing high stability.



During contraction
980mm

Walking. Stretching
1300mm

Pin-type variable dozer

The dozer width can be adjusted according to the crawler width. Moreover, extension and retraction can be easily performed by simply replacing the pin. In addition, the dozer arm has been extended by 320mm to improve workability near the work site.



※ The photographs shown are taken for a catalogue. When leaving the work site, be sure to ground the work equipment.

TECHNOLOGY

Rippa unique technological philosophy.



Digital instrument panel



Time and hour meter are displayed on LCD screen. Display engine speed. Error code is displayed on LCD screen. When the warning light is on, thermal/hydraulic system abnormality/charging system abnormality, etc., I will notify you immediately. Simple well-designed, easy to access and read. With indicators, easy to operate controllers. Always know the condition of the machine.

Key centralization design

Operation key centralized design, great operability, one-key switchable function



Operating handle

The excavator adopts a pilot lock to prevent accidental touch and make the operation safer. The vehicle is equipped with an oil source valve and an accumulator to make the pilot operation respond more quickly.



SAFETY

It improves work efficiency while providing comfort and safety.

The four-post ROPS/OPG (Top Guard Level I) canopy is designed to ensure operator safety. The wide front posts ensure ample visibility, and the spacious space provides a comfortable living space. The boarding and disembarking space is also spacious, and the posts can be used as handrails, making boarding and disembarking easy. It also protects against unexpected falling objects at the work site. It is also equipped with a seat belt.



Safety and anti-fouling

4-pole ROPS/OPG canopy

The seat, with its luxurious design, can be adjusted forward and backward in four stages to suit the operator's physique, supporting work in a comfortable position. It is also equipped with a seat belt.



Accumulator

Equipped with an accumulator that allows the work equipment to be lowered for 30 seconds even if the engine suddenly stops.

Focus on safety and security

Safety Statement

● LED Work Light

It can provide a bright working environment and improve the operating vision at night or in low light conditions. It ensures the safety of night work.



● Safety lever & engine neutral start

The safety lever can be locked to prevent accidental misoperation of the work equipment, turning, or driving. Also, the engine will not start unless the lever is locked.

● Plunger pump

By adjusting the plunger stroke, the flow of the hydraulic system can be precisely controlled to meet different operating requirements.



● Swing left and right step

Prevents malfunction and improves operability.



● Towing hook

Equipped with a towing hook at the rear of the frame.

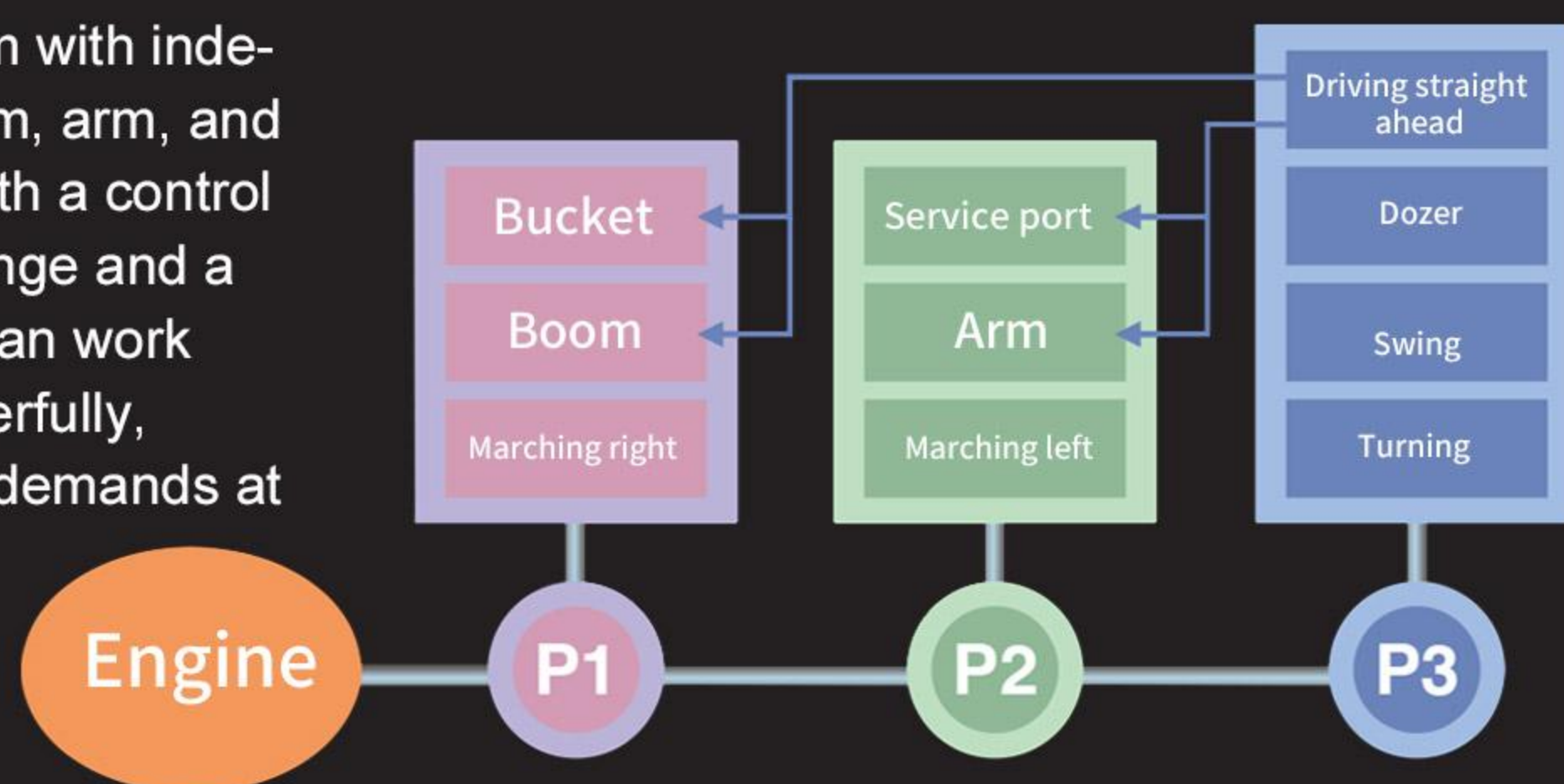


PERFORMANCE

Outstanding power and smooth operation for superior operability.

NEW-H•M•S hydraulic system with powerful digging force and four-way operation

It uses a three-pump system with independent pumps for the boom, arm, and rotation, and is equipped with a control valve with a wide control range and a variable-capacity pump. It can work smoothly, quickly, and powerfully, meeting even the toughest demands at a high level.



● Powerful digging performance

Hydraulic power is concentrated at the front, providing powerful digging ability.

● Equipped with a straight running circuit

Even if you operate the front wheel while driving, there will be no swerving or speed changes, ensuring stable straight-line driving.

● 4-way operation possible

3 Optimal matching of the pump system and hydraulic system allows simultaneous operation of the bucket, boom, arm and rotation.

● Easy to load and unload onto truck

Its excellent straight-line running ability and stability make it easy to load and unload from a truck.

2WAY service port piping

(Optional)

Attachments such as breakers are available.



Hydraulic Cylinder Guard

The protective plate effectively reduces external impact, thereby effectively protecting the hydraulic cylinder patterns.



Hydraulic Quick Coupler Tilt Switch

The rocker cannot be pushed unless the red button is pressed, to prevent accidental activation of the hydraulic quick-change switch.

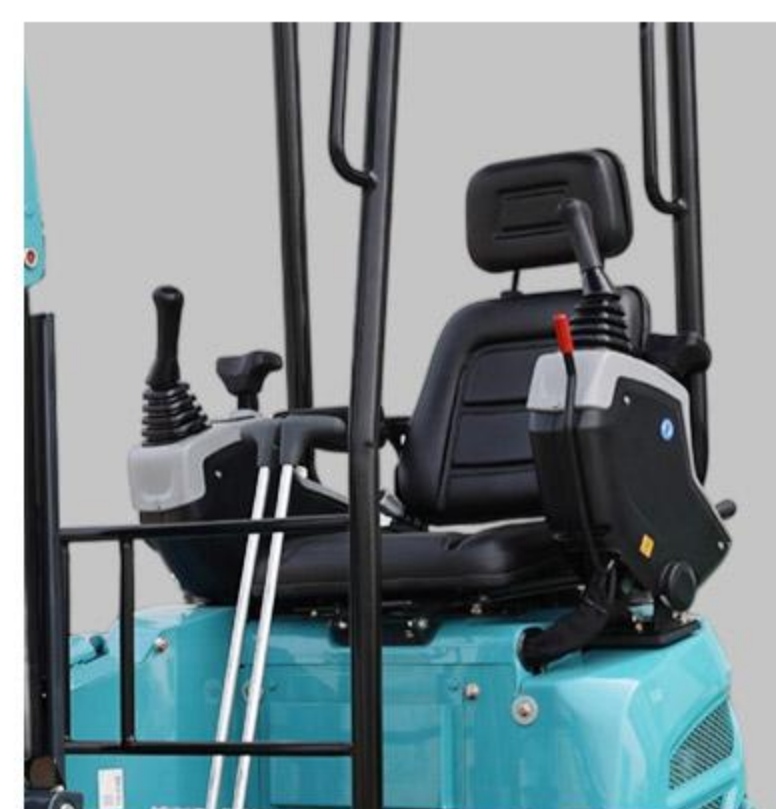


Horizontal operation lever

The ample legroom and horizontally placed operating lever allow for relaxed, comfortable operation. The lever stand also has a wide gap between it and the handrail when folded up, making it easy to get on and off.

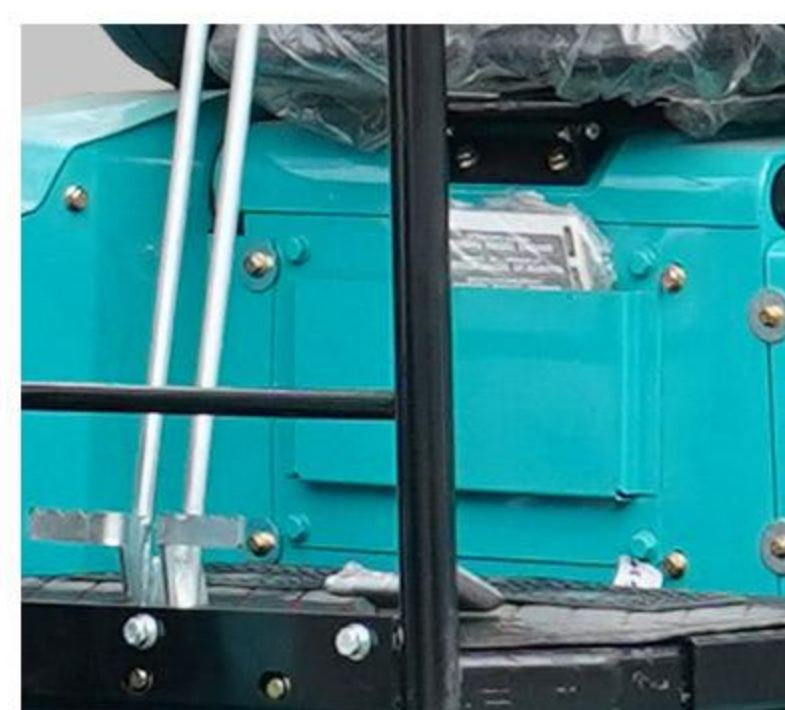
Deluxe Seat

The seat is comfortable and provides excellent support. Its excellent stability supports comfortable operation.



Storage box

Is it possible to leave a written explanation book, or a manual for editing the book, etc., and use other methods for making progress.





MAINTENANCE

Easy maintenance and reliable durability.

Easy to open and close without tools

Double open bonnet

The rear and right side bonnets can be opened wide without tools, making it easy to carry out daily inspections and maintenance of the engine and fuel system. When performing full-scale maintenance, the rear and right side bonnets can be removed in just a few minutes, allowing for speedy and accurate inspection and maintenance of the interior.

Minimize damage and trouble

Excellent maintainability

- **Split Dozer Hose**

By splitting the hose midway, it is easy to maintain and replace the hose even if it is accidentally damaged



- **Crawler tension springs are standard equipment**

Equipped with a tensioning device that improves the durability of the rubber tracks.

- **Equipped with automatic starter release device function**

Prevents the starter motor from burning out.

- **Manual tool holder**

Equipped with a box for storing manuals and tools

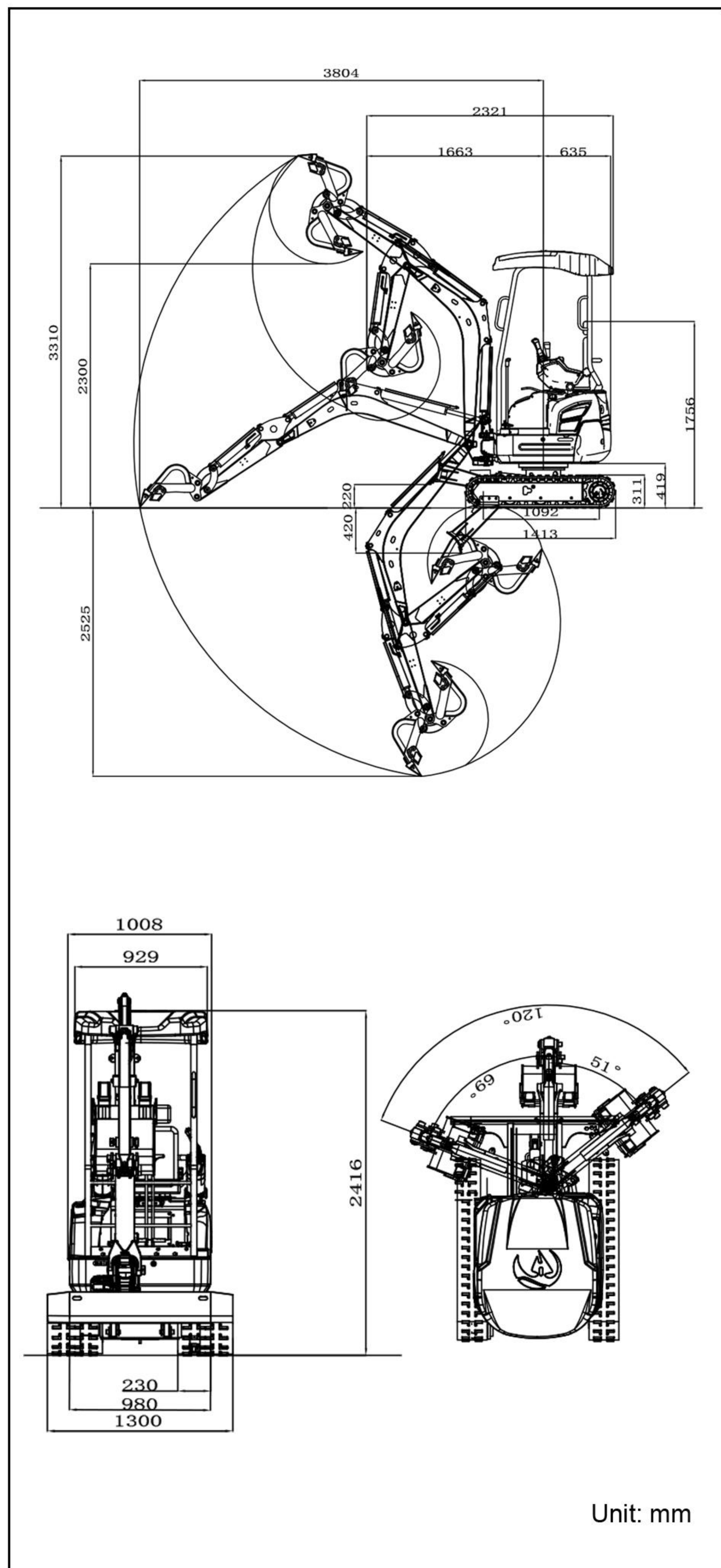


Motor built-in

The travel motor hose is internalized to prevent the motor from being bumped and protect it well.



■ SCOPE OF WORK



■ SPECIFICATION

	Model	unit	R322L
Basic parameters	Machine working weight (kg)	lb(kg)	3772.07(1711)
	Bucket capacity	ft ³ (m ³)	1.589(0.045)
	Travel speed low/high speed	mph(Km/h)	0-0.9/0-1.7(0-1.5/0-2.8)
	Gradeability	(%)	30%
	Ground pressure	psi(Kpa)	4.55(31.4)
	Maximum digging force	lbf(kN)	2338(10.4)
	Maximum digging radius	in(mm)	149(3804)
	Maximum digging depth (mm)	in(mm)	99(2525)
	Maximum digging height (mm)	in(mm)	130(3310)
	Maximum unloading height (mm)	in(mm)	90(2300)
	Maximum deflection angle (°)	(°)	(120)
	Track extension range (mm)	in(mm)	38-51(980-1300)
	Engine	Engine brand	
Engine model			D902
Maximum horsepower (ps)		hp(ps)	15.8(16)
Maximum power (Kw)		(kw)	11.8
Maximum speed (rpm)		(rpm)	2300
Displacement (L)		gal(L)	0.197(0.898)
Number of cylinders			3
Cooling method			Water-cooled
Engine oil change amount (L)		gal(L)	1(3.8)
Fuel form			Diesel
Fuel grade			0/-10
Theoretical fuel consumption (L/h)		(L/h)	1.3-1.5
Body		Transport length (mm)	in(mm)
	Transport width (mm)	in(mm)	39.6(1008)
	Transport height (mm)	in(mm)	95(2416)
	Counterweight ground clearance (mm)	in(mm)	16.4(419)
	Bucket width (mm)	in(mm)	15.7(400)
	Boom length (mm)	in(mm)	70.132(1780)
	Arm length (mm)	in(mm)	44.128(1120)
	Bulldozer blade width (mm)	in(mm)	39-51.2(990-1300)

■ HYDRAULIC SYSTEM

Main pump type/model	Variable piston pump/18	Maximum set pressure	20MPa
Main pump brand	Taifeng Hydraulics	Travel hydraulic motor type	Built-in LTM02PA
Main pump maximum flow (L/min)	41.4	Travel motor brand	Likechuan
Multi-way valve	9-way hydraulic control multi-way valve	Motor displacement(ml/r)	288.6/444
Multi-way valve brand	Taifeng Hydraulics	Slewing hydraulic motor type	Eaton SW2.5K
Rated set pressure (Mpa)	17MPa	Displacement	245

- Please read the operator's manual carefully before using the machine and operate the equipment correctly and safely.
- Always wear the seat belt during operation. (For ROPS-equipped machines only)
- Operators must receive appropriate training and be qualified in accordance with local laws and regulations before operating the machine.
- To help prevent accidents, equipment damage, and unexpected downtime, perform regular inspection and maintenance of the machine.
- Periodic inspections and maintenance should be carried out by qualified personnel or authorized service providers in accordance with local safety regulations and standards.

WE ARE RIPPA

Shandong Rippa Machinery Group Co., Ltd. is located in the No. 39, Guang'an Road, Liu-hang Sub-district Office, High-tech Zone, Jining City, Shandong Province, It is a state-owned high-tech enterprise with import and export rights.

The company's employees are energetic and enterprising, constantly creating the legend and fame of the rippa!



Shandong Rippa Machinery Group Co., Ltd.

Address: No. 39, Guang'an Road, Liu-hang Sub-district Office, High-tech Zone, Jining City, Shandong Province

Some specifications are based on engineering measurements and may deviate from actual conditions. Specifications are for comparison purposes only and are subject to change without notice. Specifications of individual RIPPA equipment will vary based on normal variations in design, manufacturing, operating conditions and other factors. Some pictures of RIPPA equipment are not limited to standard packages.



www.rippa.com