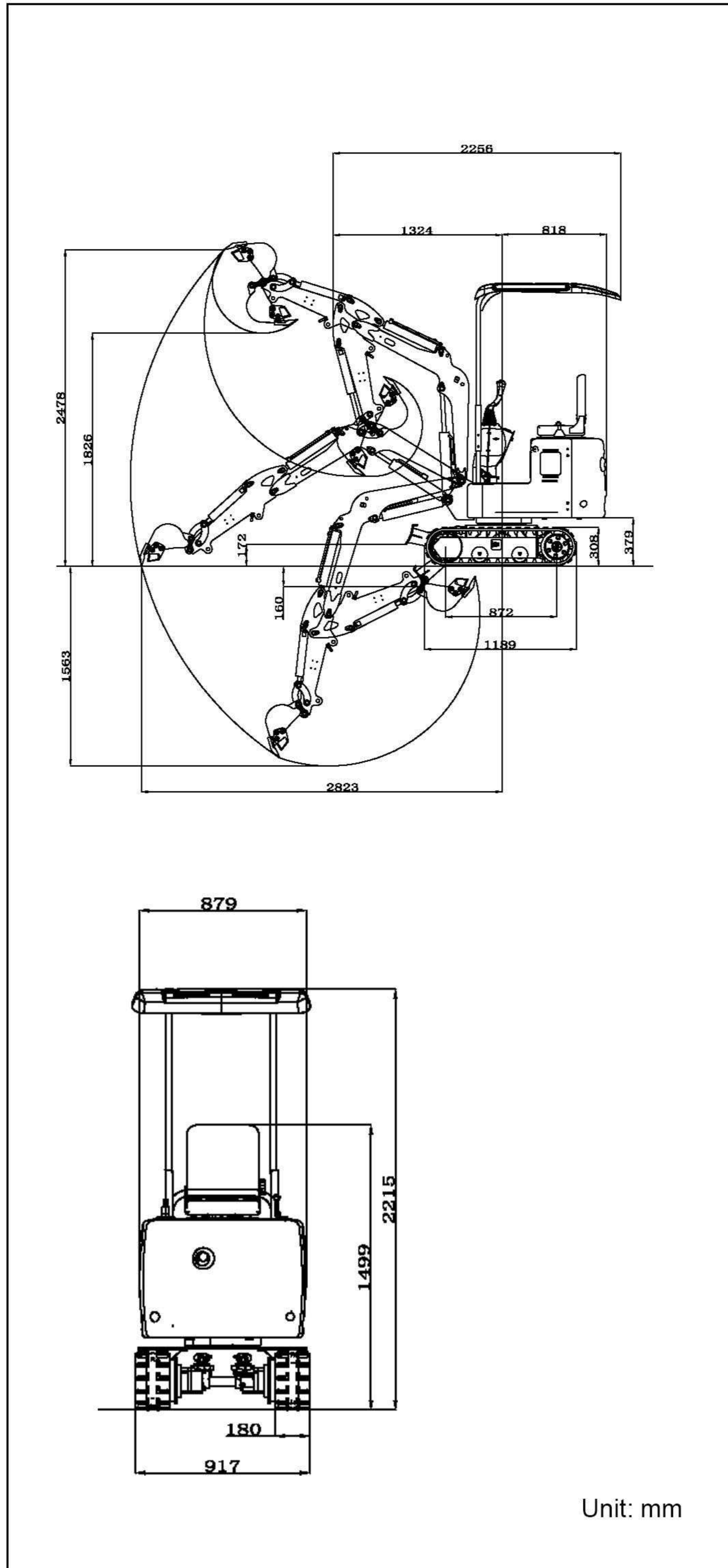


■ SCOPE OF WORK



Unit: mm

■ SPECIFICATION

	Model	Unit	R319
Basic parameters	Machine working weight	lb(kg)	1709(775)
	Bucket capacity	ft³(m³)	0.49(0.014)
	Travel speed low/high speed	mph(Km/h)	0-0.93(0-1.5)
	Gradeability	(%)	30
	Ground pressure	(Kpa)	25.53
	Maximum digging force	(kN)	9.2
	Maximum digging radius	in(mm)	111.1(2823)
	Maximum digging depth	in(mm)	61.5(1563)
	Maximum digging height	in(mm)	97.6(2478)
	Maximum unloading height	in(mm)	71.9(1826)
Engine	Maximum deflection angle	°	-
	Track extension range	in(mm)	-
	Engine brand		Kubota
	Engine model		D722
	Maximum horsepower	hp	13.7
	Maximum power	kw	10.2
	Maximum speed	rpm	2500
	Displacement	gal(L)	0.19(0.719)
	Number of cylinders		3
	Cooling method		Water-cooled
Body	Engine oil change amount	gal(L)	0.66(2.5)
	Fuel form		DIESEL
	Fuel grade		0/-10
	Theoretical fuel consumption	gal/h(L/h)	0.3-0.4(1.1-1.5)
	Transport length	in(mm)	88.8(2256)
	Transport width	in(mm)	36.1(917)
	Transport height	in(mm)	87.2(2215)
	Counterweight ground clearance	in(mm)	14.9(379)
	Bucket width	in(mm)	11.8(300)
	Boom length	in(mm)	58.1(1477)
Arm length	in(mm)	31.5(800)	
Bulldozer blade width	in(mm)	34.8(885)	

■ HYDRAULIC SYSTEM

Main pump type/model	8ml/r	Maximum set pressure	20MPa
Main pump brand	Tianjin Walking/Parker	Travel hydraulic motor type	4K-315
Main pump maximum flow (L/min)	20	Travel motor brand	Paiyi/Zhenjiang
Multi-way valve	8-way manual multi-way valve	Motor displacement	315
Multi-way valve brand	Tengfei/Shengjie	Slewing hydraulic motor type	BM2-315
Rated set pressure (Mpa)	17MPa	Displacement	315

- Please read the operator's manual carefully before use and operate the machine correctly.
- Always wear the seat belt during operation. (ROPS models only)
- Only trained and qualified personnel should operate this machine in accordance with local laws and regulations.
- Inspect the machine regularly before and during operation to help prevent accidents, damage, and unexpected downtime.
- Perform routine maintenance and safety inspections according to the maintenance schedule in the operator's manual.
- Repairs, inspections, and servicing should be carried out by qualified technicians or authorized service personnel.

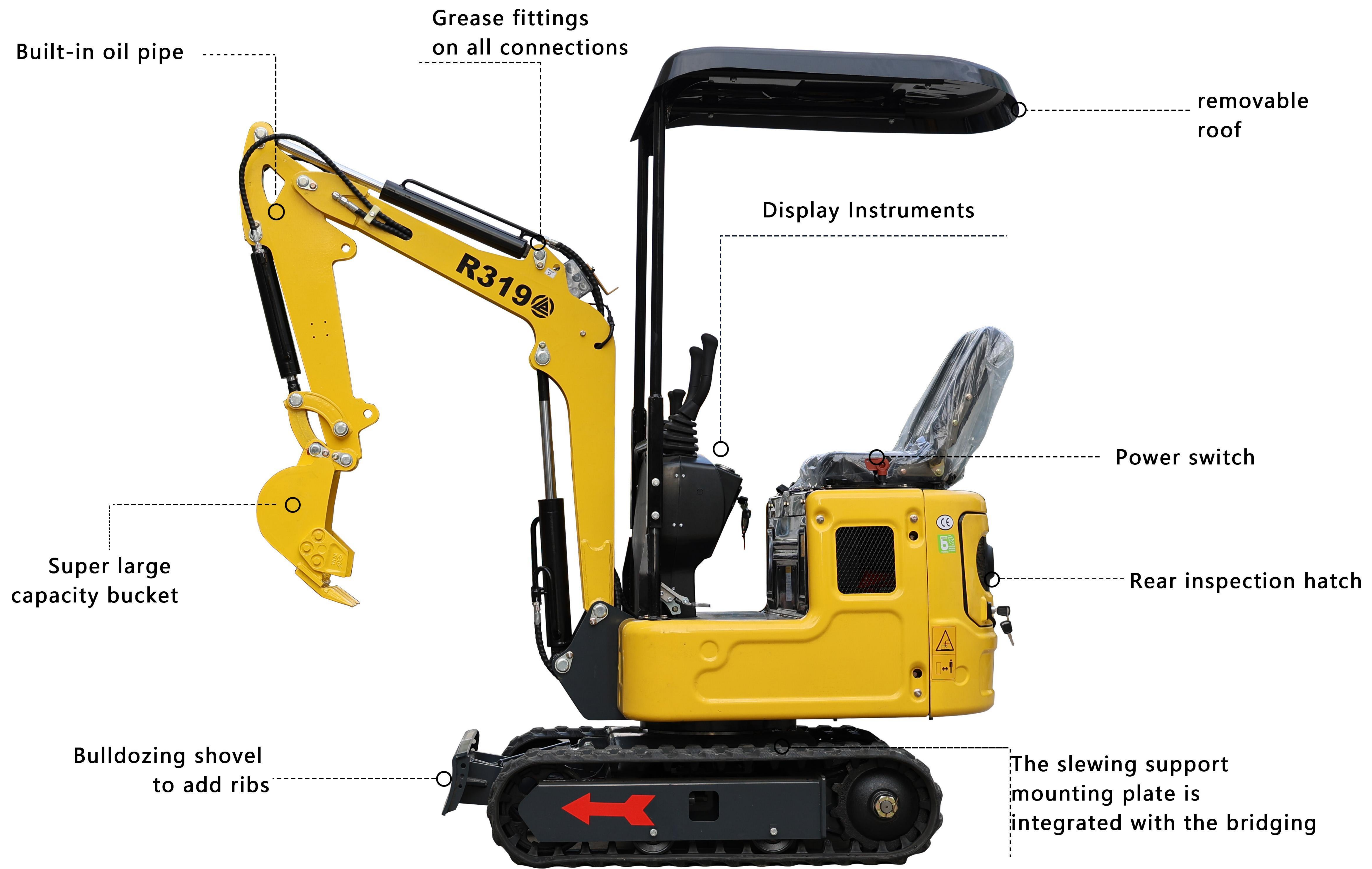


MINI EXCAVATOR R319



EXCELLENT PERFORMANCE, FULLY MEET THE NEEDS OF VARIOUS USERS.





EXCELLENT PERFORMANCE



[WATER-COOLED KUBOTA D722 ENGINE]

While achieving energy conservation and environmental protection
Ensure high power output of the engine.
Comply with EPA4 and Euro 5 emission standards.
Low noise, low emissions, no impact on people and the environment.



DIESEL ENGINE

10.2kw/2500RPM

[THROTTLE REGULATOR] (STANDARD CONFIGURATION)

When working, the accelerator can be adjusted according to the intensity of the work, making the work more humanized.



[BULLDOZER]

The bulldozing shovel increases the rib plate, the strength is stronger, the service life is increased, and there is butter at the connection Empty, more convenient to lubricate



RELIABLE JOB PERFORMANCE

[Rear super small turn]

Minimize the part of the turning beyond the outside of the track as much as possible, so the machine can turn safely and securely. Ease of operation is ensured even in narrow working environments.

Maximum digging radius **2823mm**

Maximum digging depth **1563mm**

Maximum digging height **2478mm**

Maximum dumping height **1826mm**

Transport length (C): **2256MM**

Transport width (A): **917MM**

Transport height (B): **2215MM**



[LED lights]

Make night work safer



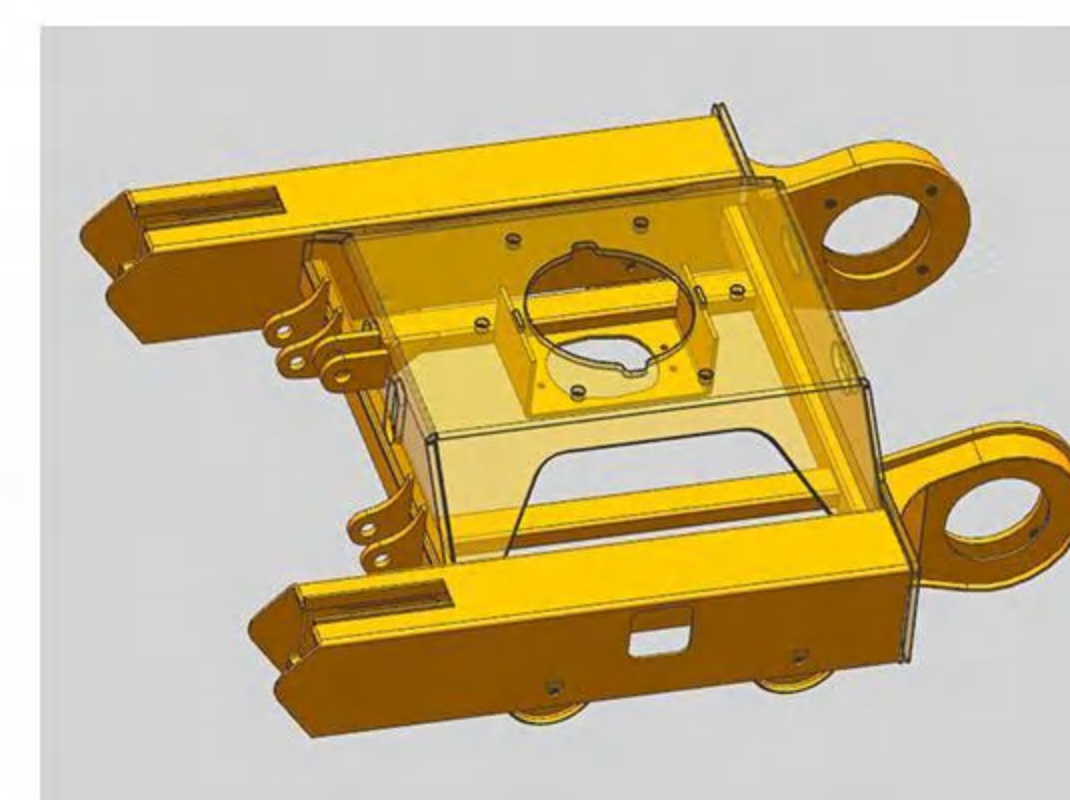
[Reinforced Chassis]

Equipped with engineered rubber tracks featuring a herringbone pattern, these tracks provide excellent shock absorption during operation, effectively reducing fatigue for operators. Constructed with an inner structure of three layers of steel wire and steel plates, the outer layer is wrapped in durable natural engineered rubber for enhanced strength and longevity.



[Super strong chassis]

The lower plate structure is stamped in one piece to increase strength; it has strong load-bearing capacity, high stability, and improved operating comfort.



[Rear view is wide]

There is no obstruction or blind spot at the rear, which prevents accidents during the rotation process and ensures the personal safety of surrounding workers.

[Driver seat]

The seat is designed according to ergonomics, and the back of the seat fits the curve of the back of the human body, which can meet the needs of users of different sizes. To a certain extent, it can reduce people's energy consumption, and can provide a comfortable backrest when people are working, so that people can always maintain a good working condition, thereby improving people's work efficiency.

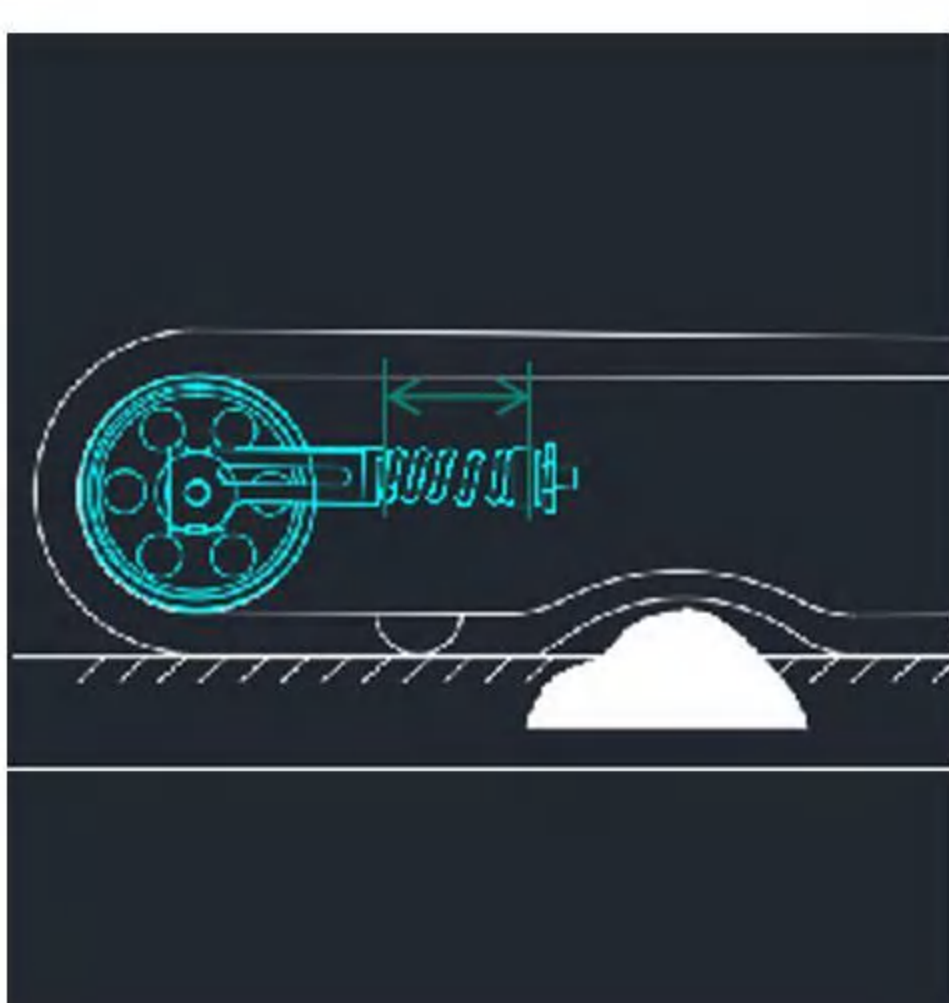


[Metal Guard]

The machine cover is made of steel plate, which is not easy to be damaged. Even if damaged, it is easy to repair.

[Oil-filled tensioning]

Oil-filled tensioning, the tensioning spring contracts, the track can fit the protrusions well, protecting the track





OPERATION AND MAINTENANCE

[Convenient and simple operation panel]

Easy to use, easy to use after learning Flexible and convenient for all kinds of engineers



[Built-in tubing]

Optimize the boom structure and simplify the welding process. The oil pipe is inside the boom to reduce the damage of the oil pipe.



[Adjustable Suspension]

The best operating position can be set according to the driver's body shape and preference, making driving more comfortable.



[Display Instruments]

The electronic display instrument can show the operating parameters of the excavator, allowing the driver to always understand the operating status of the machine



[Rear door design]

The tail guard can be opened to facilitate inspection and maintenance, greatly improving work efficiency



> WE ARE RIPPA

Shandong Rippa Machinery Group Co., Ltd. is located in the No. 39, Guang'an Road, Liuhang Sub-district Office, High-tech Zone, Jining City, Shandong Province, It is a state-owned high-tech enterprise with import and export rights.

The company's employees are energetic and enterprising, constantly creating the legend and fame of the rippa!



Shandong Rippa Machinery Group Co., Ltd.

Address: No. 39, Guang'an Road, Liuhang Sub-district Office, High-tech Zone, Jining City, Shandong Province

Some specifications are based on engineering measurements and may differ from actual conditions. Specifications are for comparison purposes only and are subject to change without notice. Specifications of individual RIPPA devices may vary due to normal variations in design, manufacturing, operating conditions and other factors. Some images of RIPPA devices are not limited to standard packages.



www.rippa.com