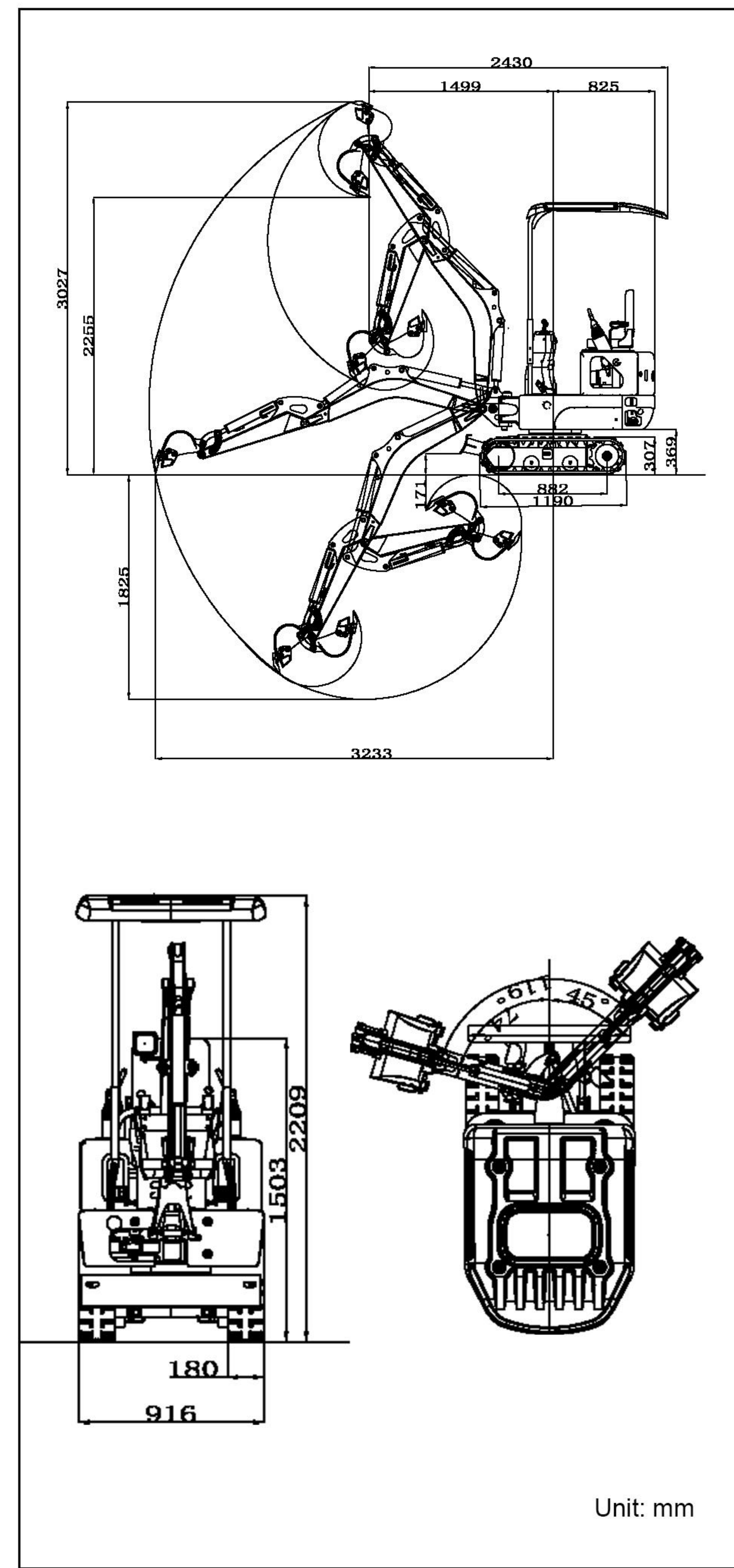


## ■ SCOPE OF WORK



## ■ SPECIFICATION

|                              | Model                          | US                  | R10 ECO             |
|------------------------------|--------------------------------|---------------------|---------------------|
| Basic parameters             | Machine working weight         | 2244lb              | 1018kg              |
|                              | Bucket capacity                | 0.49ft <sup>3</sup> | 0.014m <sup>3</sup> |
|                              | Travel speed low/high speed    | 0-0.93mph           | 0-1.5km/h           |
|                              | Gradeability                   | 30%                 | 30%                 |
|                              | Ground pressure                | 3.7psi              | 25.53Kpa            |
|                              | Maximum digging force          | 9.2kN               | 9.2kN               |
|                              | Maximum digging radius         | 127.3in             | 3233mm              |
|                              | Maximum digging depth          | 72.2in              | 1833mm              |
|                              | Maximum digging height         | 118.9in             | 3021mm              |
|                              | Maximum unloading height       | 88.5in              | 2247mm              |
| Maximum deflection angle     | 121°                           | 121°                |                     |
| Track extension range        | 35.4-47.2in                    | 900-1200mm          |                     |
| Engine                       | Engine brand                   | Kubota              | Kubota              |
|                              | Engine model                   | Z482                | Z482                |
|                              | Maximum horsepower             | 11hp                | 11.2ps              |
|                              | Maximum power                  | 8.2kw               | 8.2kw               |
|                              | Maximum speed                  | 3000rpm             | 3000rpm             |
|                              | Displacement                   | 0.13gal             | 0.479L              |
|                              | Number of cylinders            | 2                   | 2                   |
|                              | Cooling method                 | Water-cooled        | Water-cooled        |
|                              | Engine oil change amount       | 0.4gal              | 1.5L                |
|                              | Fuel form                      | Diesel              | Diesel              |
| Fuel grade                   | 0/-10                          | 0/-10               |                     |
| Theoretical fuel consumption | 0.8-1.2L/h                     | 0.8-1.2L/h          |                     |
| Body                         | Transport length               | 95.7in              | 2430mm              |
|                              | Transport width                | 35.9in              | 912mm               |
|                              | Transport height               | 86.7in              | 2201mm              |
|                              | Counterweight ground clearance | 14.2in              | 361mm               |
|                              | Bucket width                   | 11.8in              | 300mm               |
|                              | Boom length                    | 58.1in              | 1477mm              |
|                              | Arm length                     | 31.5in              | 800mm               |
|                              | Bulldozer blade width          | 35.9-47.7in         | 912-1212mm          |

## ■ HYDRAULIC SYSTEM

|                                |                           |                              |         |
|--------------------------------|---------------------------|------------------------------|---------|
| Main pump type/model           | Gear Pumps 306            | Maximum set pressure (Mpa)   | 18MPa   |
| Main pump brand                | Tianjin Walking/Shengjie  | Travel hydraulic motor type  | WDM-300 |
| Main pump maximum flow (L/min) | 18L/min                   | Travel motor brand           | Paiyi   |
| Multi-way valve                | 2+2+5 way multi-way valve | Motor displacement           | 315ml/r |
| Multi-way valve brand          | Tengfei                   | Slewing hydraulic motor type | BM2-315 |
| Rated set pressure (Mpa)       | 17MPa                     | Displacement                 | 315ml/r |

- Please read the instruction manual carefully and use the machine correctly.
- Always wear a seat belt when working. (ROPS specifications only)
- If you are operating construction machinery with a machine mass of less than 3 tons, you must take the "Special Training for Vehicle-Mounted Construction Machinery Operation" course beforehand. If the machine mass is 3 tons or more, you must take the "Vehicle-Mounted Construction Machinery Operation Skills Course".
- To prevent breakdowns and accidents, be sure to inspect the machinery regularly.
- Specific voluntary inspections are required to be carried out by an inspection company registered with the Minister of Health, Labor and Welfare or the Director-General of the Labor Standards Inspection Bureau.



MINI EXCAVATOR

# R10 ECO



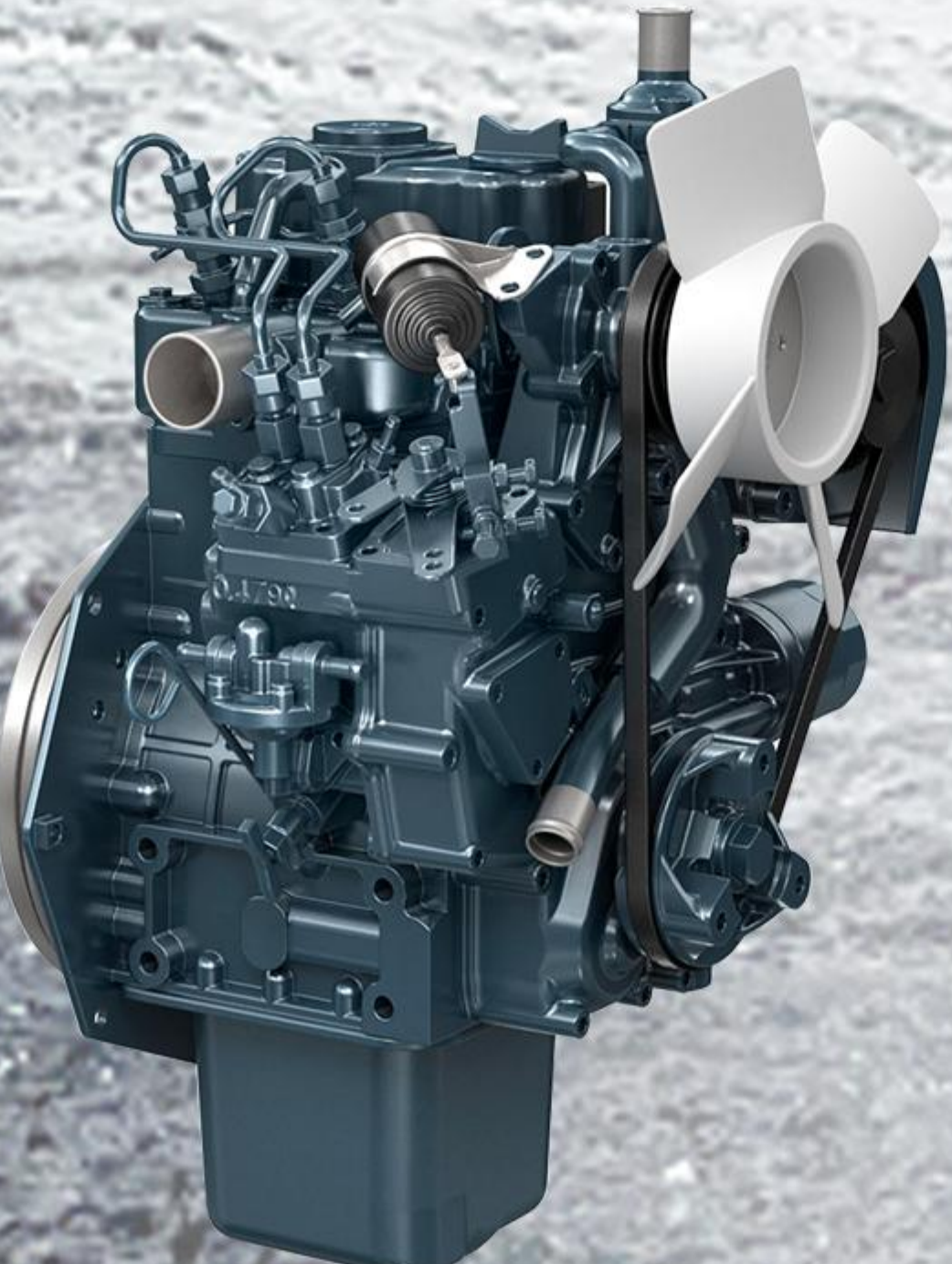
# Ultra compact dimensions superb operator protection minimal tail swing everything you need to get the job done

There's a lot to like about RIPPA's new ultra-compact excavators. They're so compact you can easily work safely in tight spots. They also have an improved control layout\*, and upgraded comfort features to keep you working efficiently and comfortably. Best of all, you can depend on these RIPPA ultra-compact excavators to get the job done with speed and efficiency.



### SIDE LEVER LAYOUT

The control levers of the RIPPA E60 are positioned to the sides of the seat for a better, more relaxed operator working posture and excellent forward visibility.



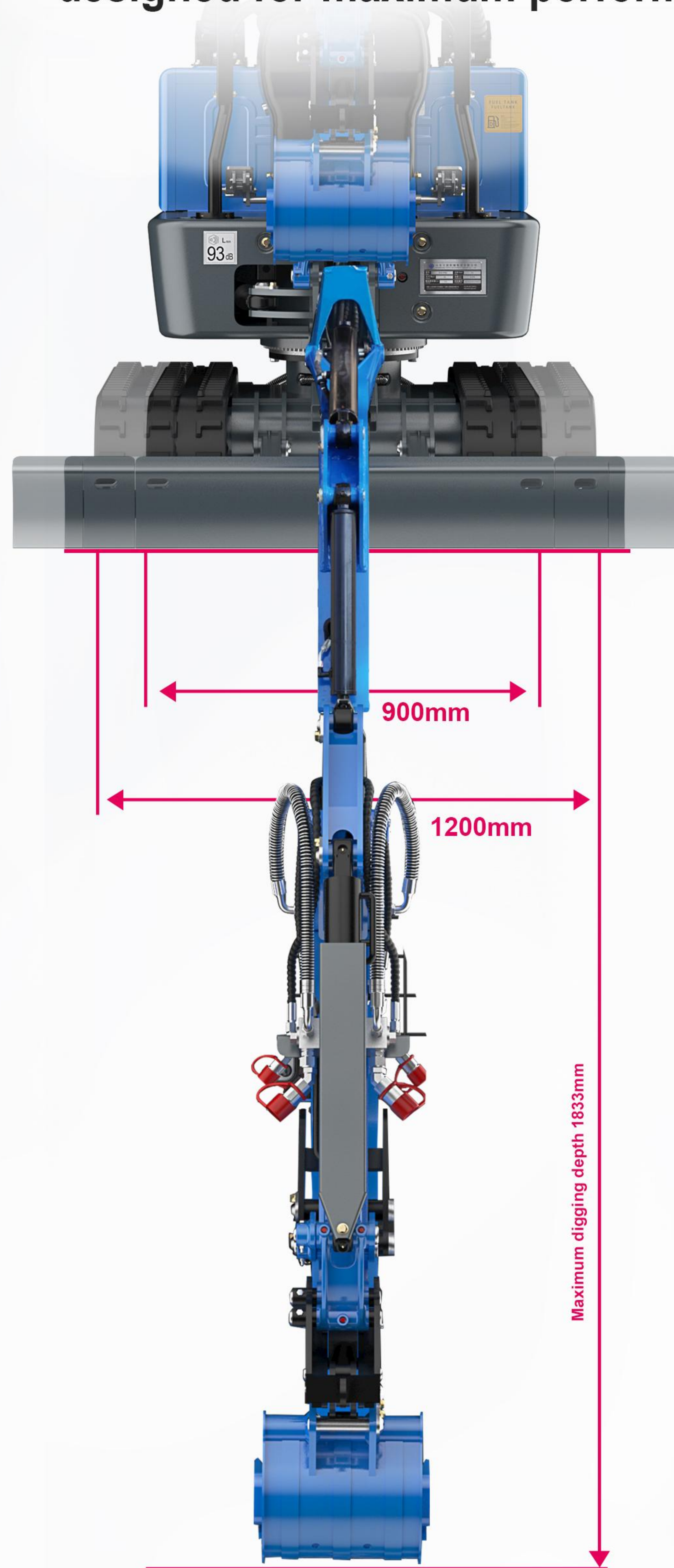
#### RIPPA ULTRA-COMPACT EXCAVATORS



Engine gross horsepower (z482): 11.2 HP (8.2kW)  
Maximum digging force : 9.2 KN  
Operating weight\*\*:978 kg

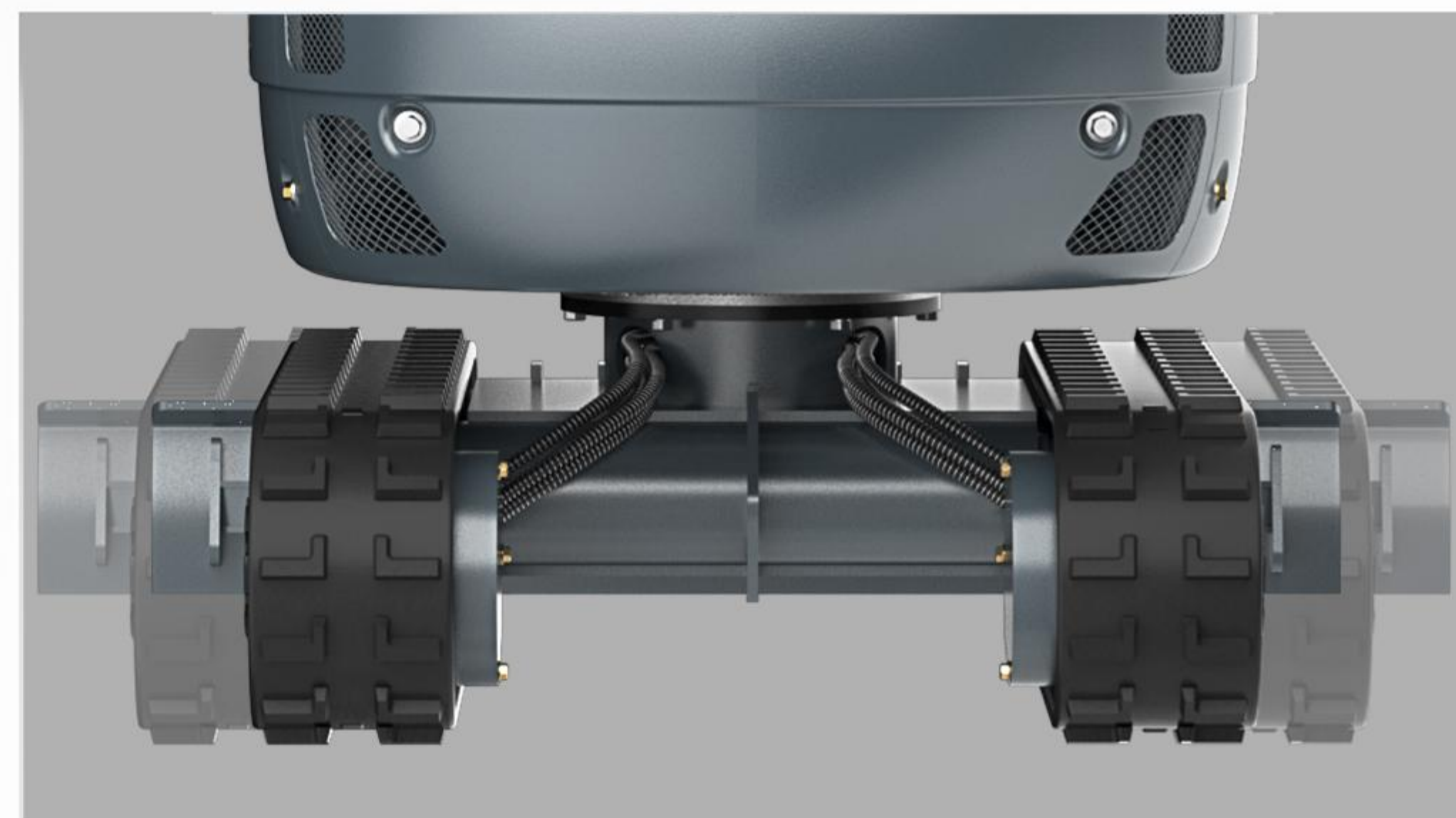
# PERFORMANCE / SAFETY

From an adjustable track gauge and two-speed travel pedal to Engine Safety Start and a new boom-mounted LED work light, this ultra-compact excavator is designed for maximum performance and safety.



## 1 Adjustable Track Gauge

The R10 eco hydraulically adjustable track gauge can be narrowed down to 900mm in seconds with a simple single lever operation to allow navigation in tight spaces. Conversely, you can widen the track gauge all the way up to 1200mm. Its quick-fold blade adjusts to size instantly with the simple pull of a pin. When adjusted down, these ultra-compact excavators can easily fit through most doorways, allowing access inside buildings.



## 2 Digging Range

The subcompact excavator excels at digging, with a surprisingly wide working and digging range for such a small excavator.



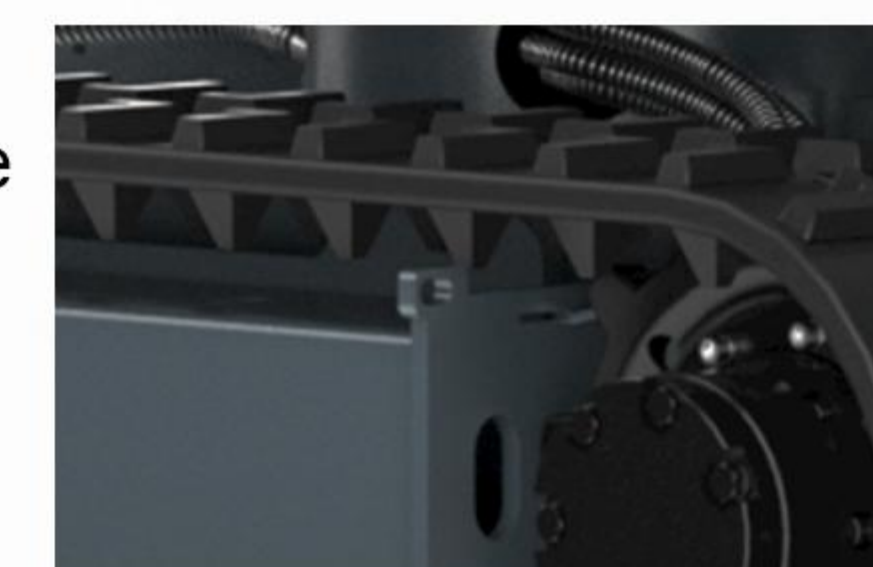
## 3 Large-capacity bucket

Large-capacity bucket can load more materials. The bucket is strong and durable, which greatly improves the working efficiency.



## 4 Lifting hole

More convenient movement and more fixing points for the transport of the machine.



## 5 Roof upgrade

Enhance safety protection and avoid injuries from falling objects; provide clear vision at night or in low light conditions to ensure construction efficiency; expand the driver's field of view, reduce blind spots, and improve operational safety.



## 6 Foot pedal

The foot pedal is set to facilitate the side swing and extension of the excavator, freeing the driver's hands and improving work efficiency.



## 7 Cylinder guard plate

Effectively prevent the impact and scratches of stones, soil, construction debris, etc. on the cylinder, extending the life of the cylinder.

## 8 Four-way crushing pipeline

Four-way high-pressure crushing oil pipe can realize more auxiliary equipment operations.



## 9 Plastic roof cover

The plastic canopy cover is more beautiful and three-dimensional; Compared with iron roofs, it has better waterproof performance and strong corrosion resistance.



